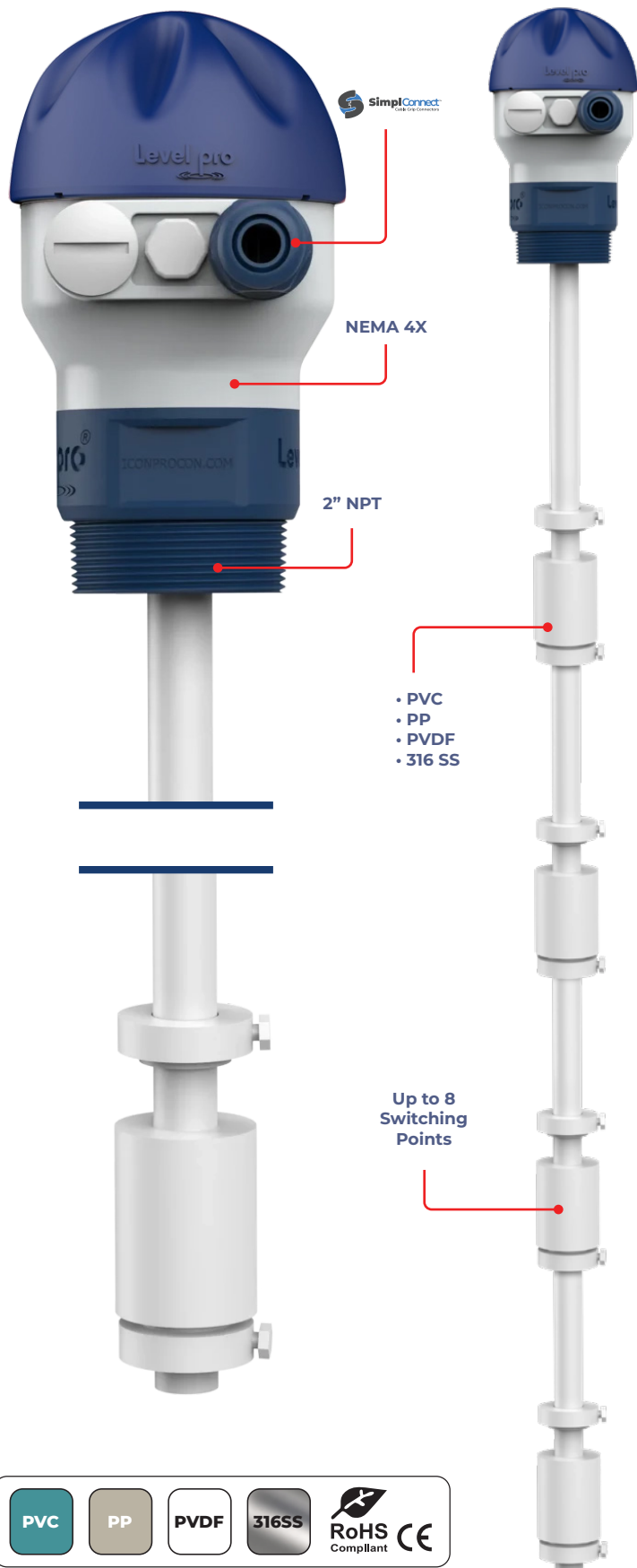


# LevelPro® — PLF

## Magnetic Float Level Switch Assembly



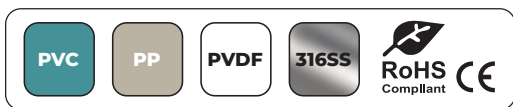
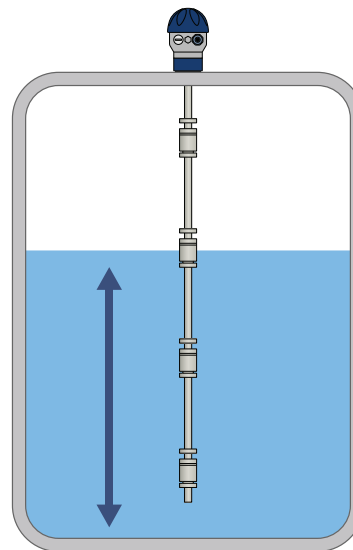
### Features

- ✓ 6" - 72" Range
- ✓ Up to 8 Relay Contacts
- ✓ Flange | NPT Connection
- ✓ PVC | PP | PVDF | 316 SS
- ✓ Superior Chemical Resistance
- ✓ No Power Required
- ✓ High to Low | High to High | Low to Low
- ✓ Suitable for Non-Coating Acids | Bases
- ✓ NEMA 4X Enclosure
- ✓ Cord Grip Included

### Precision Liquid Level Detection for Industrial Excellence

The PLF Liquid Level Float Switch provides liquid level detection up to 8'(2.4m) with 1-8 level switch points and a compact junction box for wiring termination.

This all plastic level switch package is selected for day tank, skid or machine, cooling tower, waste sump or process tank applications, and can be connected directly to a PLC or relay controller. It makes a perfect on | off switch for pumps or valves and can be used to completely automate your tank. The PLF is only suitable for non-viscous and non-coating liquids.



# LevelPro® — PLF

## Magnetic Float Level Switch Assembly

### Specifications

General		
Operating Range	0.5 to 8 ft	0 to 2.4 m
Connection	2" NPT	
Accuracy	±2 mm	
Hysteresis	8 mm	
Materials		
Sensor Body	PVC   PP   PVDF   316 SS	
O-Rings	N/A	
Enclosure	Glass Filled Polypropylene   NEMA 4X   IP67	
Cable Glands	PP	
Electrical		
Voltage Rating	Minimum Switching Capacity 60VAC   9VDC	Maximum Switching Capacity 120VAC   36VDC
Operating Temperature		
PVC	32°F to 140°F	0°C to 60°C
PP	-4°F to 190°F	-20°C to 88°C
PVDF	-40°F to 240°F	-40°C to 115°C
316 SS	-40°F to 300°F	-40°C to 149°C
Standards and Approvals		
CE   FCC   RoHS Compliant		

### Model Selection

**PLF -** 2 - 4 - 1 - ?? - 1 - ?? - 1 - ?? - 1 - ?? - 1 - ?? - 1 - ?? - 1 - ?? - 1 - ?? - 1 - ??

Material	# of Contact Points	Switching Position (SP1)	Length (L1)	SP2	L2	SP3	L3
2: PVC 3: PP 5: PVDF 8: 316 SS	1   2   3   4   5 6   7   8	1: NO 2: NC	Length in inches	1: NO 2: NC	??"	1: NO 2: NC	??"

SP4	L4	SP5	L5	SP6	L6	SP7	L7	SP8	L8
1: NO 2: NC	??"	1: NO 2: NC	??"	1: NO 2: NC	??"	1: NO 2: NC	??"	1: NO 2: NC	??"

