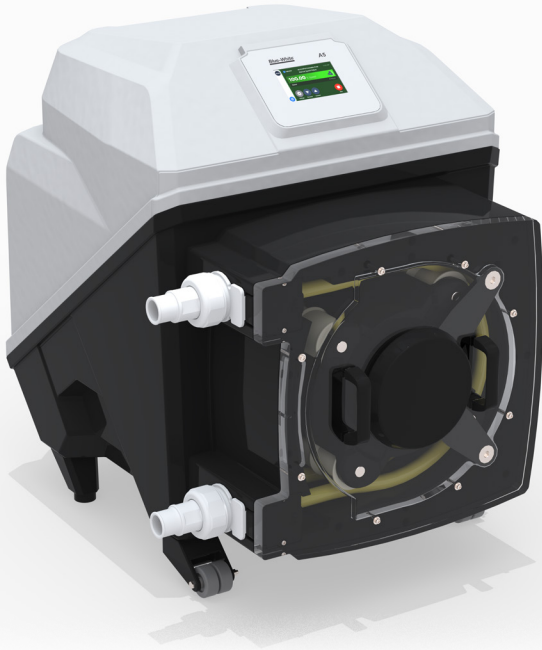


# A5

## FLEXFLO® Peristaltic Metering Pump



### Features

- > 5" touchscreen color LCD display
- > User-friendly configurations
- > Self priming peristaltic metering pump delivers smooth chemical feed
- > Tube Failure Detection (TFD) system senses tube failure
- > Inputs include: 4-20mA, Pulse Inputs, Industrial Protocols, Remote Start/Stop



**NEMA 4X**

### Highlights

**Flow range**

.0302 - 534 GPH  
.1144 - 2021 LPH

**Pressures**

Up to 65 PSI  
(4.4 bar)

**Turndown ratio**

2,500 : 1

**Exclusive**

Tube Failure Detection  
(TFD)

**Motor**

Brushless DC

**Warranty**

2 Years

### Control Methods

Control Methods	Manual Control	4-20mA Input	Remote Start/Stop	Pulse Input	Frequency Input	Ethernet/IP	Modbus TCP/IP	Profibus	4-20mA Output 4 Alarm Outputs
A5	•	•	•	•	•	•	•	•	•

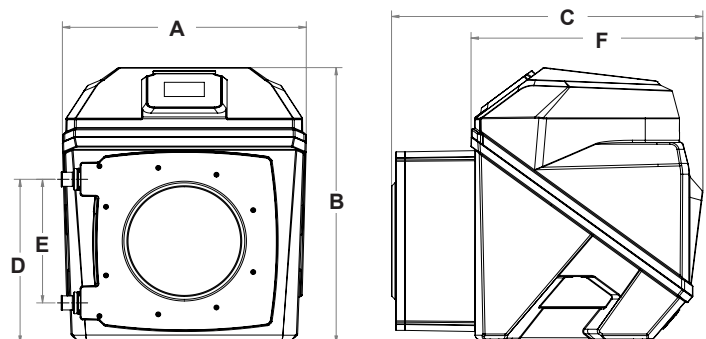


<b>Maximum Working Pressure (excluding pump tubes)</b>	Up to 65 psig (4.4 bar) <b>NOTE:</b> See individual pump tube assembly maximum pressure ratings.
<b>Maximum Fluid Temperature (excluding pump tubes)</b>	185 °F (85 °C) <b>NOTE:</b> See individual pump tube assembly max. temperature ratings.
<b>Maximum Viscosity</b>	12,000 Centipoise
<b>Maximum Suction Lift</b>	30 ft. Water, 0 psig (9.14 m, 0 bar)
<b>Ambient Operating Temperature</b>	14 °F to 115 °F (-10 °C to 46 °C)
<b>Ambient Storage Temperature</b>	-40 °F to 158 °F (-40 °C to 70 °C)
<b>Operating Voltage</b>	115VAC/60Hz, 1ph (5.2A)
	230VAC/60Hz, 1ph (2.6A)
	220VAC/50Hz, 1ph (2.6A)
	240VAC/50Hz, 1ph (2.6A)
	230VAC/50Hz, 1ph (2.6A)
<b>Power Cord Options (Detachable - 6' Standard)</b>	115V60Hz = NEMA 5/15 (USA)
	230V60Hz = NEMA 6/15 (USA)
	220V50Hz = CEE 7/VII (EU)
	240V50Hz = AS 3112 (Australia/New Zealand)
<b>Motor</b>	Brushless DC, .6 hp
	2,500:1 (0.04% - 100% motor speed) Max RPM = 75
<b>Motor Speed Adjustment Range</b>	0.1% increments > 1% motor speed and < 100%
<b>Motor Speed Adjustment Resolution</b>	0.01% increments < 1% motor speed
<b>Display</b>	5" touchscreen color LCD, UV resistant.
<b>Display Languages</b>	English, Spanish, French, German, and Portuguese selectable
<b>Maximum Overall Dimensions</b>	25.7"W x 30.1"H x 32.8"D (65.2W x 76.4H x 83.3D cm)
<b>Product Weight</b>	178 lb. (80.7 Kg)
<b>Security</b>	Programmable 6-digit password
<b>Approximate Shipping Weight</b>	340 lb. (154 Kg)
<b>Enclosure</b>	IP66, Kydex, NEMA 4X
<b>RoHS Compliant</b>	Yes
<b>Standards</b>	cETLus, CE

## Dimensions

Dim	Inch	cm	Dim	Inch	cm
A	25.7"	65.2	D	17.9"	45.4
B	30.1"	76.4	E	13.5"	34.3
C	32.8"	83.3	F	24.4"	62.0

**Overall Height with Mounting Bracket = 33.1"**



## Non-wetted Components:

**Enclosure:** Kydex

**Pump Head:** GF Noryl

**Pump Head Cover:** Acrylic

**Motor Shaft Support Bracket:** Powder-coated Aluminum

Permanently lubricated sealed motor shaft support ball bearing.

**Cover Screws:** Stainless steel, polypropylene cap

## Roller Assembly:

Rotor: GF Noryl

Rollers: Nylon

Roller Bearings: SS Ball bearings

**Motor Shaft:** Chrome plated steel

**TFD System Sensor:** Hastelloy C-276

**Power Cord:** 3 conductor, SJTW-A water-resistant

**Mounting Brackets and Hardware:** 316 Stainless steel

## Wetted Components:

### Pump Tube Assembly:

Tubing: Flex-A-Prene®, or Flex-A-Thane®

Adapter Fittings: Polypropylene

O-Rings: FKM (Optional EP)

\*\* Flex-A-Prene® and Flex-A-Thane® tubing comply with FDA 21 CFR, 117.2600 criteria for food processing.

### Ancillary Items Not Included (sold separately):

Suction Tubing/Pipe, Discharge Tubing/Pipe, Injection Fittings, Foot Valves/Strainers, Quick Disconnect Valves, or Communications Wire/Cable.

# Output Specifications

	Feed Rate			Max Pressure	Max Temperature	Tube Material / Size
	GPH	LPH	mL/Min	PSI (bar)	°F (°C)	
<b>Flex-A-Prene® M5 Tube Pumps</b>						
.2136 - 534	.8084 - 2021	13.476 - 33690	30 (2.1)	185 (85)	NPP	
.1072 - 286	.4332 - 1083	7.222 - 18056	50 (3.4)	185 (85)	NLL	
.0302 - 75.6	.1144 - 286	1.907 - 4769	65 (4.5)	185 (85)	NHHL	
<b>Flex-A-Thane® M5 Tube Pumps</b>						
.0617 - 154.2	.2334 - 583.6	3.891 - 9728	50 (3.4)	130 (54)	GKK	

## Model Number

<b>A5</b>	FLEXFLO® Peristaltic metering pump							
<b>Power Cord (operating voltage user selectable 115V/240 VAC 50/60Hz)</b>								
<b>4</b>	115V / 60Hz, power cord NEMA 5/15 plug (US)							
<b>6</b>	220V / 50HZ, power cord CEE 7/VII plug (EU)							
<b>X</b>	No Power Cord							
<b>Inlet/Outlet Connection Size, Connection Type, Connection Material</b>								
<b>M</b>	1.5" Male NPT Fitting, Polypropylene, FKM O-rings							
<b>B</b>	1.5" Hose Barb, Polypropylene, FKM O-rings							
<b>Pump Tube Material, Pump Tube Size, Output Range, Pressure</b>								
<b>NPP</b>	Flex-A-Prene® .750 ID   0.2136– 534 GPH   0.8084 - 2021 LPH   13.476 - 33690 mL/min   30 PSI							
<b>NLL</b>	Flex-A-Prene® .500 ID   0.1072 – 286 GPH   0.4332 - 1083 LPH   7.222 - 18056 mL/min   50 PSI							
<b>NHHL</b>	Flex-A-Prene® .250 ID   0.0302 – 75.6 GPH   0.1144 - 286 LPH   1.907 - 4769 mL/min   65 PSI							
<b>GKK</b>	Flex-A-Thane® .375 ID   0.0617 – 154.2 GPH   0.2334 - 583.6 LPH   3.891 - 9728 mL/min 50 PSI							
<b>Options</b> (leave this blank for standard model with left facing pump head inlet/outlet)								
<b>R</b>	Right facing pump head, input / output (Left facing fluid input / output is standard)							
<b>E</b>	EP O-rings							
<b>A5</b>	<b>S</b>	<b>2</b>	<b>4</b>	<b>-</b>	<b>M</b>	<b>NPP</b>	<b>R</b>	<b>Sample Model Number</b>

## Accessories

90010-663 115V/60Hz NEMA 5/15  
 90010-664 220V/50Hz CEE 7/V11  
 90010-665 230V/50Hz BS 1363/A  
 90010-666 240V/50Hz AS 3112  
 90010-696 230V/60Hz NEMA 6/15

**POWER CABLES - 6 ft**



**CABLE-UAC**  
 USB A-C CABLE



**KIT-M12**  
 TWO M12 CABLES



**KIT-DP3**  
 ONE 3ft PROFIBUS CABLE

\***KIT-M12-3** Three M12 Cables and **KIT-M12-6** Six M12 Cables also available.

Visit Accessory Pages for More Options