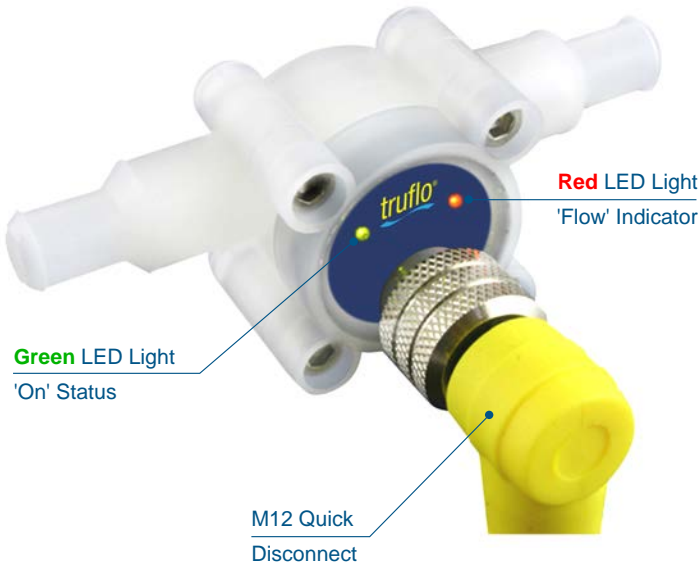


ProPulse SERIES

Mini Turbine Flow Meter



- ❑ No Programming Required
- ❑ Measure 5 Different Flow Ranges
- ❑ Perfect for Ultra-Low Flow Ranges



Product Description

The **ProPulse** provides superior performance and delivers accurate Ultra-Low Flow measurement that is highly repeatable under the most demanding of industrial environments.

The **ProPulse** Series consists of one universal body that can be customized into 5 selectable flow ranges. Changing from one flow range to another is simply achieved by inserting a very precise flow jet. No special tools are required for change out. Truly plug and play.

The **ProPulse** operates using a PVDF rotor with encapsulated magnetic inserts, which rotate on a longwearing set of sapphire bearings designed to provide years of reliability. As the rotor spins, the magnetic field produced by the magnets is picked up via a Hall Effect Sensor, which converts the rotation into a square wave NPN pulse output that can be sent directly to a metering pump or local display.



Features

- ❑ Excellent Chemical Resistance
- ❑ Ultra Low Flow Ranges | 50 ml/min | 0.013 GPM
- ❑ Large Temperature Range | -40 - 248°F | -40 - 120°C
- ❑ Excellent Choice for Tubing
- ❑ NPN or PNP Pulse Output
- ❑ Compact Lightweight Design

PVDF Turbine

- ❑ Great Chemical Resistance
- ❑ Anti-Stick and Low Frictional Properties
- ❑ Excellent Impact Strength
- ❑ Excellent Mechanical Properties



Insert Flow Jets

- ❑ Measure 5 Different Flow Ranges
- ❑ Jets are Field Replaceable
- ❑ Completely PVDF
- ❑ No Tools Required for Change-Out
- ❑ Great for Measuring Ultra-Low Flow Rates



Variety of End Connections

- ❑ Hose Barb
- ❑ Straight Pipe
- ❑ 1/2" MNPT
- ❑ Flared



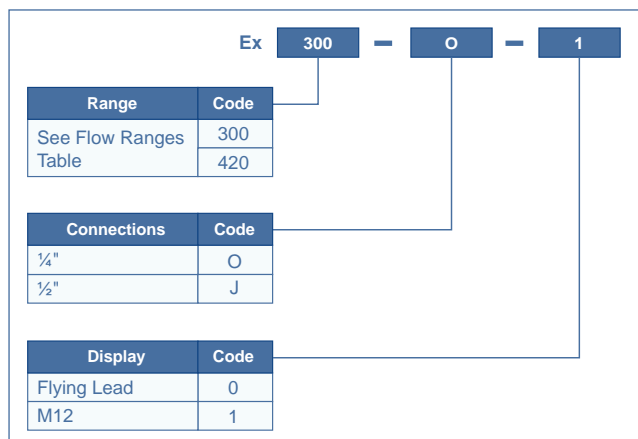
Technical Specifications

General	
Repeatability	±0.1%
Output	NPN PNP
Viscosity Particles	> 90 Micron
Temperature Rating	-40 - 248°F -40 - 120°C
Calibration	6.8 GHZ
Connections	¼" 3/8" ½"
Accuracy	See Below Flow Ranges K Factor Table
Electrical	
Power Consumption	7.5mA
Materials	
Body Internals	PVDF Sapphire Bearings
O-Ring	Viton Kalrez*
Max. Temperature/Pressure Rating - Standard and Integral Sensor Non-Shock	
Body Internals	200 psi @ 68°F 40 psi @ 240°F 14 bar @ 20°C 2.7 bar @ 115°C

Flow Ranges | K Factor

Model	Range LPM	Range GPM	Accuracy ± % Full Scale	Frequency Hz	K-F actor 1/Liter	K- Factor 1/Gallon
300 - Jet 1	0.05 - 0.50	0.014 - 0.13	2.0	142	17000	64352
300 - Jet 2	0.12 - 1.50	0.032 - 0.40	2.0	175	7000	26498
300 - Jet 3	0.20 - 4.50	0.053 - 1.190	1.5	260	3500	13249
300 - Jet 4	0.25 - 6.50	0.067 - 1.72	1.5	230	2100	7949
300	0.30 - 10.0	0.08 - 2.60	1.0	235	1420	5375
420	0.50 - 15.0	0.132 - 4.00	1.0	245	980	3710

Model Selection



Electrical Connections

