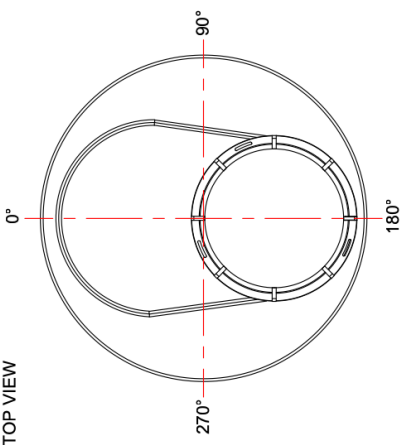
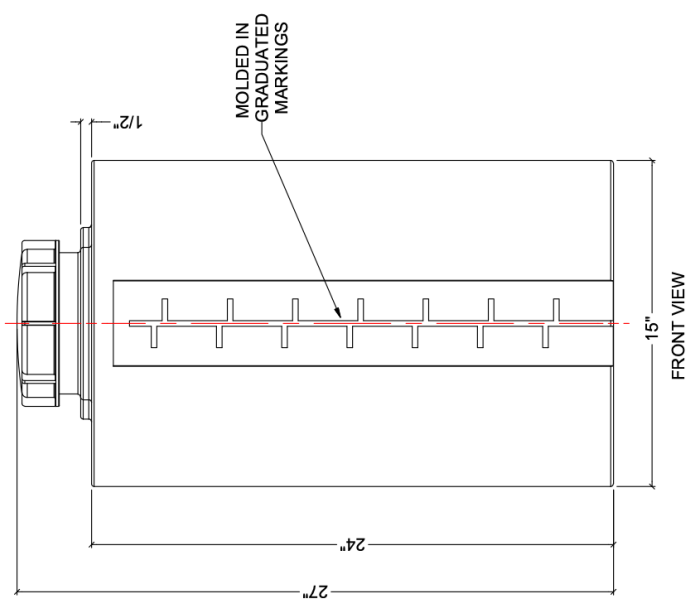


TOP VIEW

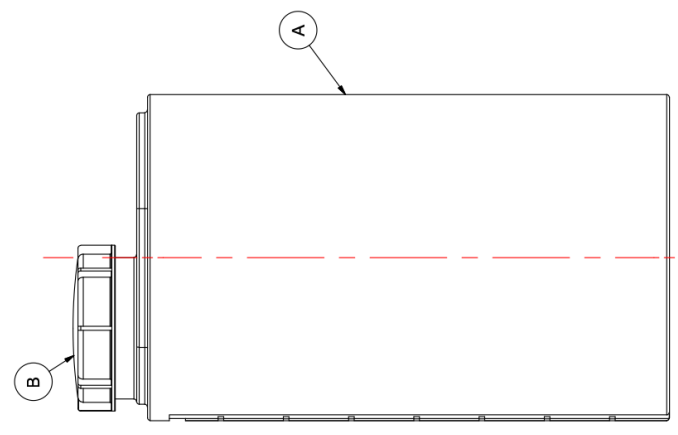


NOTES:

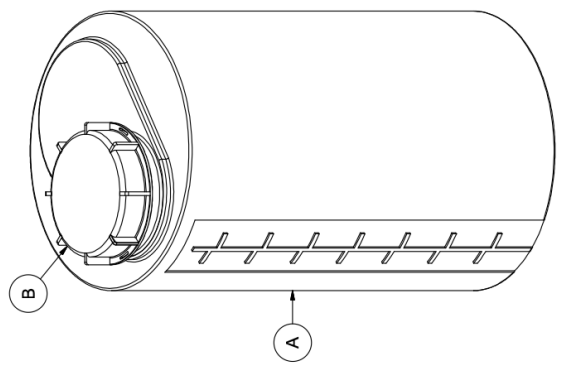
- 1. TANK IS MANUFACTURED TO ASTM-D-1998 STANDARD.
- 2. ALL DIMENSIONS ARE APPROXIMATE.



FRONT VIEW



SIDE VIEW



MATERIALS LIST

ITEMS	DESCRIPTION	NOTES
A	PTB-60 TOTE BARREL	
B	5 1/2" THREADED LID	

REV	DATE	DESCRIPTION	BY	APPD	REVD

CUSTOMER \_\_\_\_\_

TITLE: 60 L TOTE BARREL

ACO JOB NO: \_\_\_\_\_

PURCHASE ORDER NO: \_\_\_\_\_

PURCHASER'S EQUIP. NO: \_\_\_\_\_

THIS DRAWING IS THE PROPERTY OF ROTOPLAST INC. AND SHALL NOT BE COPIED OR TRANSMITTED WITHOUT THE WRITTEN CONSENT OF ROTOPLAST INC.

ENGINEERS SEAL \_\_\_\_\_

ACO CONTAINER SYSTEMS  
DIVISION OF ROTOPLAST INC.

ENGINEERING: L2747810 - CANADA  
DESIGNED: \_\_\_\_\_  
DRAWN: \_\_\_\_\_  
CHECKED: \_\_\_\_\_  
PICKERING, ONTARIO, CANADA  
TEL: 905-883-3222  
FAX: 905-883-2889  
SCALE: \_\_\_\_\_  
DATE: 15-03-16  
DWG No: \_\_\_\_\_  
REV: 0