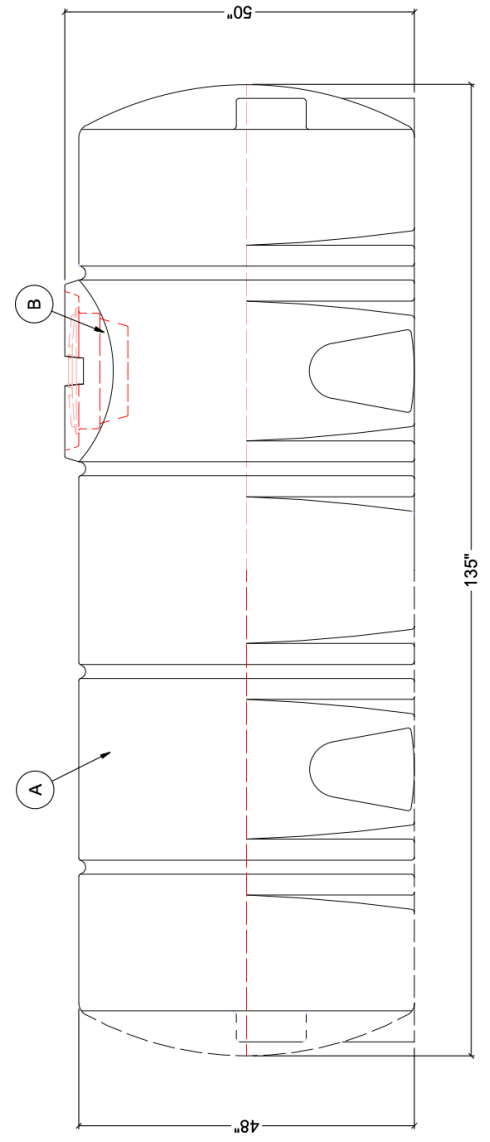


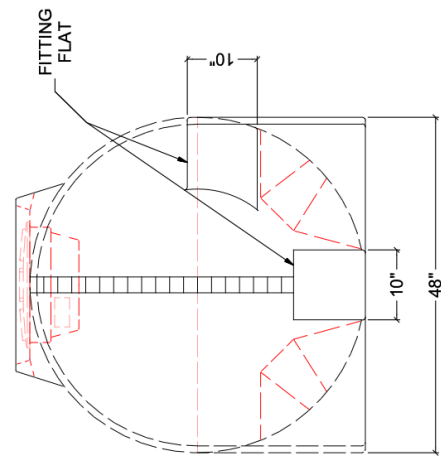
- NOTES:  
 1. TANK IS MANUFACTURED FROM HDPE.  
 2. TANK IS MANUFACTURED TO ASTM-D-1998 STANDARD.

MATERIALS LIST		
ITEMS	DESCRIPTION	NOTES
A	IHT-850 HORIZONTAL TANK	
B	15" THREADED LID	

SIDE VIEW



END VIEW



REV	DATE	DESCRIPTION	BY	APPD	REVD

CUSTOMER

ACO JOB NO. \_\_\_\_\_  
 PURCHASE ORDER NO. \_\_\_\_\_  
 PURCHASER'S EQUIP. NO. \_\_\_\_\_

THIS DRAWING IS THE PROPERTY OF ROTOPLAST INC. AND SHALL NOT BE COPIED OR TRANSMITTED WITHOUT THE WRITTEN CONSENT OF ROTOPLAST INC.

ENGINEERS SEAL

ACO CONTAINER SYSTEMS  
 DIVISION OF ROTOPLAST INC.  
 PICKERING, ONTARIO, CANADA  
 TEL. 905-883-3222  
 FAX 905-883-2889  
 DATE 21-03-16  
 DWG No IHT-850  
 REV 0