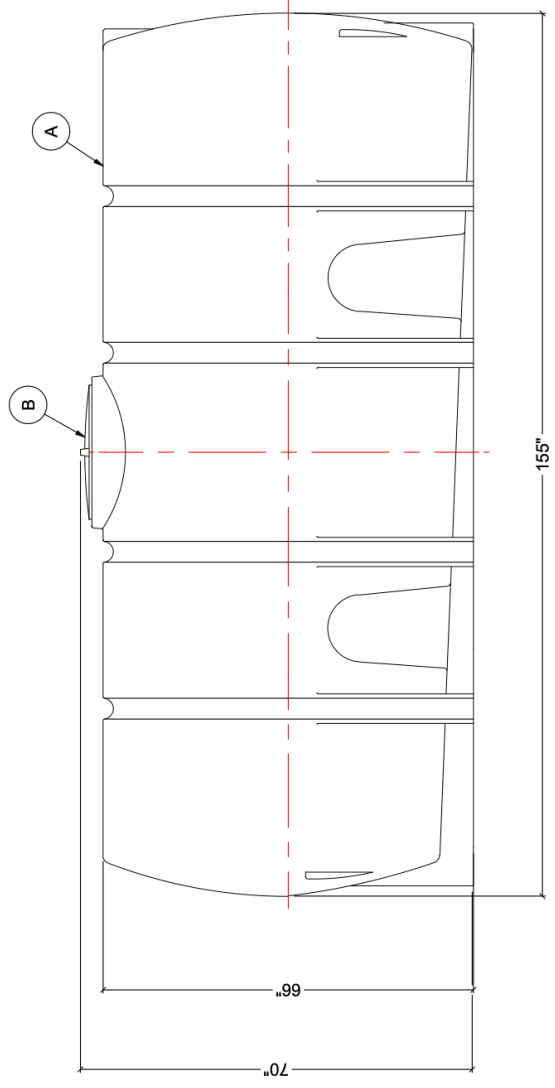


MATERIALS LIST

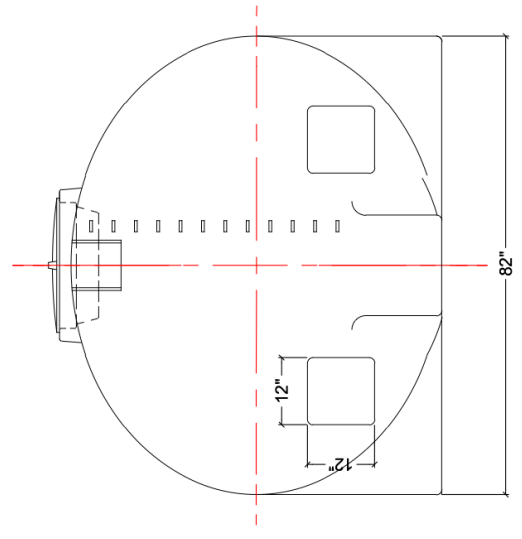
ITEMS	DESCRIPTION	NOTES
A	IHT-2160 HORIZONTAL TANK	
B	21" HINGED LID	

- NOTES:**
1. TANK IS MANUFACTURED FROM HDPE.
 2. TANK IS MANUFACTURED TO ASTM-D-1998 STANDARD.

SIDE VIEW



END VIEW



REV	DATE	DESCRIPTION	BY	APPD	REVD
2	02-22-2015	CHGD LID DESCRIPTION	WM		
1	21-05-16	CORRECTED TANK DIMENSIONS	WM		

CUSTOMER	
TITLE	ACO JOB NO.
2160 1G HORIZONTAL TANK	PURCHASE ORDER NO.
	PURCHASER'S EQUIP. NO.

THIS DRAWING IS THE PROPERTY OF ROTOPLAST INC. AND SHALL NOT BE COPIED OR TRANSFERRED WITHOUT THE WRITTEN CONSENT OF ROTOPLAST INC.

ENGINEERS SEAL	
ACO CONTAINER SYSTEMS	
DIVISION OF ROTOPLAST INC.	
PICKERING, ONTARIO, CANADA	
TEL. 905-883-3222	
FAX 905-883-2889	
DWG No	IHT-2160
REV	2

ACO CONTAINER SYSTEMS	
DIVISION OF ROTOPLAST INC.	
PICKERING, ONTARIO, CANADA	
TEL. 905-883-3222	
FAX 905-883-2889	
DWG No	IHT-2160
REV	2