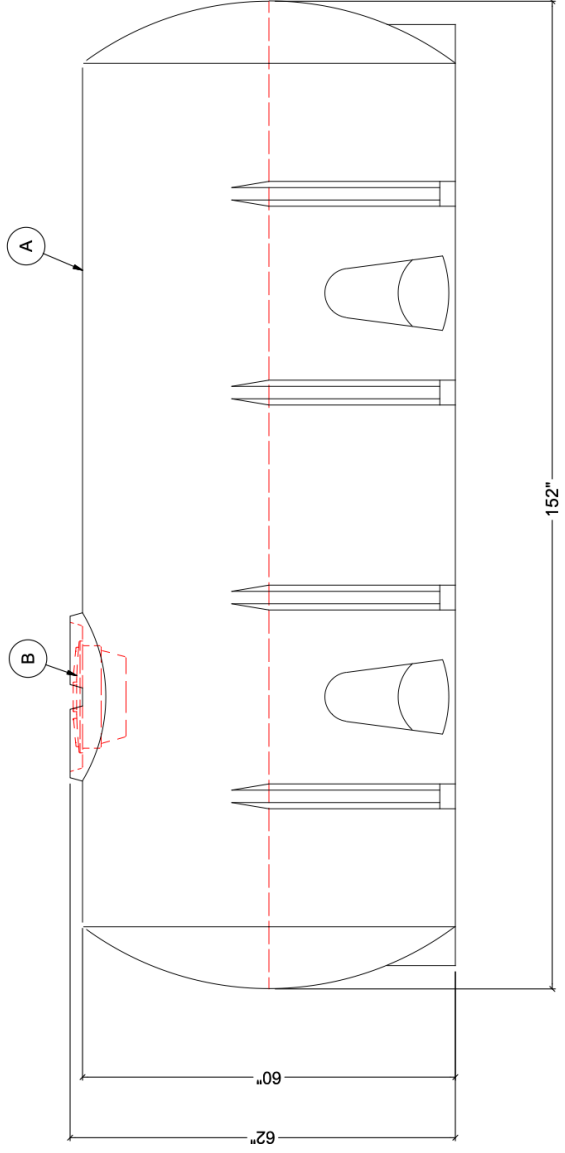


NOTES:

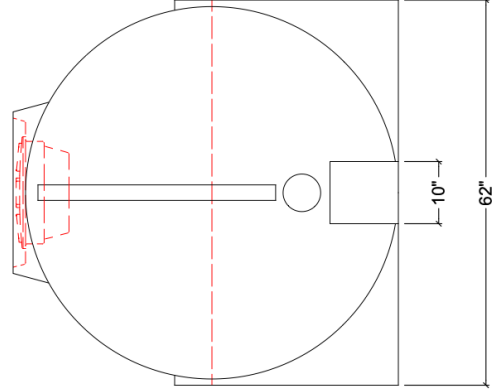
1. TANK IS MANUFACTURED FROM HDPE.
2. TANK IS MANUFACTURED TO ASTM-D-1998 STANDARD.

MATERIALS LIST		
ITEMS	DESCRIPTION	NOTES
A	IHT-1400 HORIZONTAL TANK	
B	15" THREADED LID	

SIDE VIEW



END VIEW



REV	DATE	DESCRIPTION	BY	APPD	REVD

CUSTOMER

ACO JOB NO:
1400 1G HORIZONTAL TANK
PURCHASE ORDER NO:
PURCHASER'S EQUIP. NO:

THIS DRAWING IS THE PROPERTY OF ROTOPLAST INC. AND SHALL NOT BE COPIED OR TRANSMITTED WITHOUT THE WRITTEN CONSENT OF ROTOPLAST INC.

ENGINEERS SEAL

ACO CONTAINER SYSTEMS
DIVISION OF ROTOPLAST INC.
PICKERING, ONTARIO, CANADA
TEL: 905-883-3222
FAX: 905-883-2889
DATE: 21-03-16
DWG No: IHT-1400
REV: 0