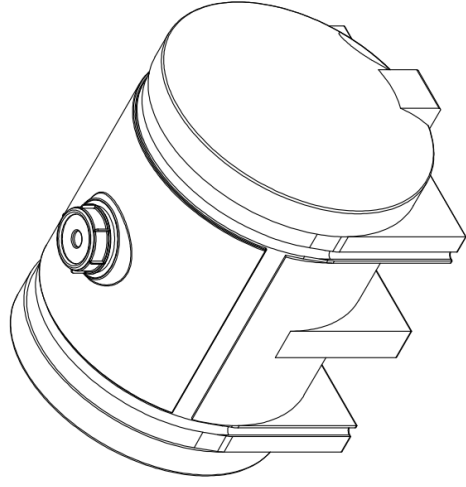
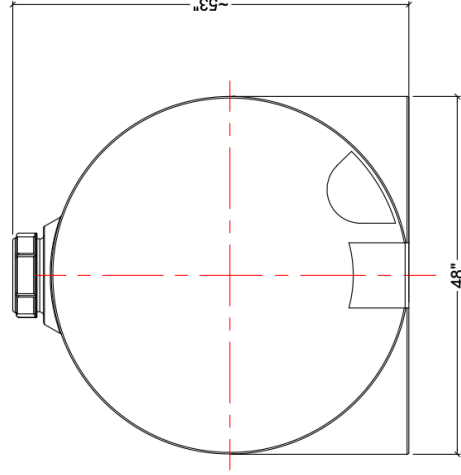
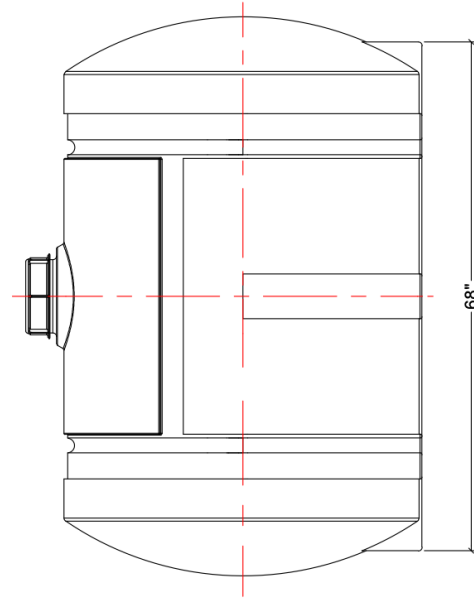


- NOTES:
1. TANK IS MANUFACTURED FROM HDPE.
 2. TANK IS MANUFACTURED TO ASTM-D-1998 STANDARD.



MATERIALS LIST

ITEMS	DESCRIPTION	NOTES
A	IHT-435 HORIZONTAL TANK	
B	10" THREADED LID	

REV	DATE	DESCRIPTION	BY	APPD	REVD

CUSTOMER

ACO JOB NO. _____
 PURCHASE ORDER NO. _____
 PURCHASER'S EQUIP. NO. _____

THIS DRAWING IS THE PROPERTY OF ROTOPLAST INC. AND SHALL NOT BE COPIED OR TRANSFERRED WITHOUT THE WRITTEN CONSENT OF ROTOPLAST INC.

ENGINEERS SEAL

ACO CONTAINER SYSTEMS
 DIVISION OF ROTOPLAST INC.

DESIGNED	WM
DRAWN	
CHECKED	
APPROVED	
SCALE	N.T.S.
DATE	21-03-16
DWG No	IHFS-435
REV	0