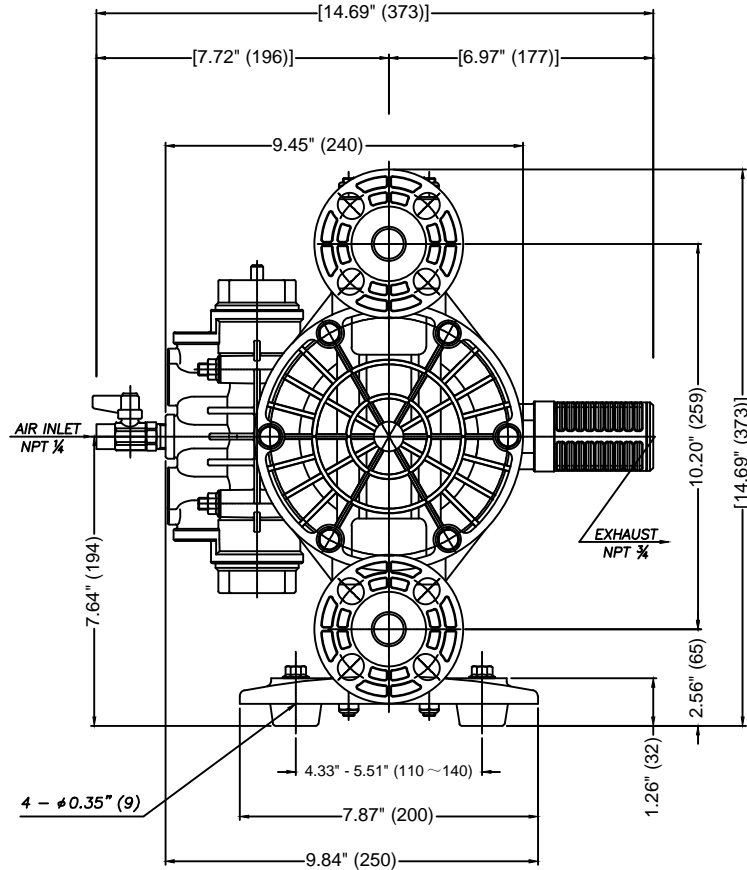
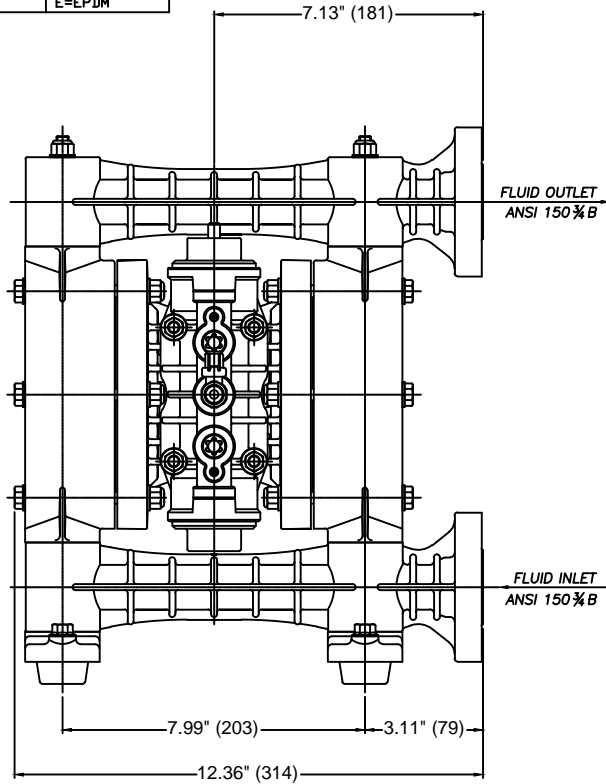


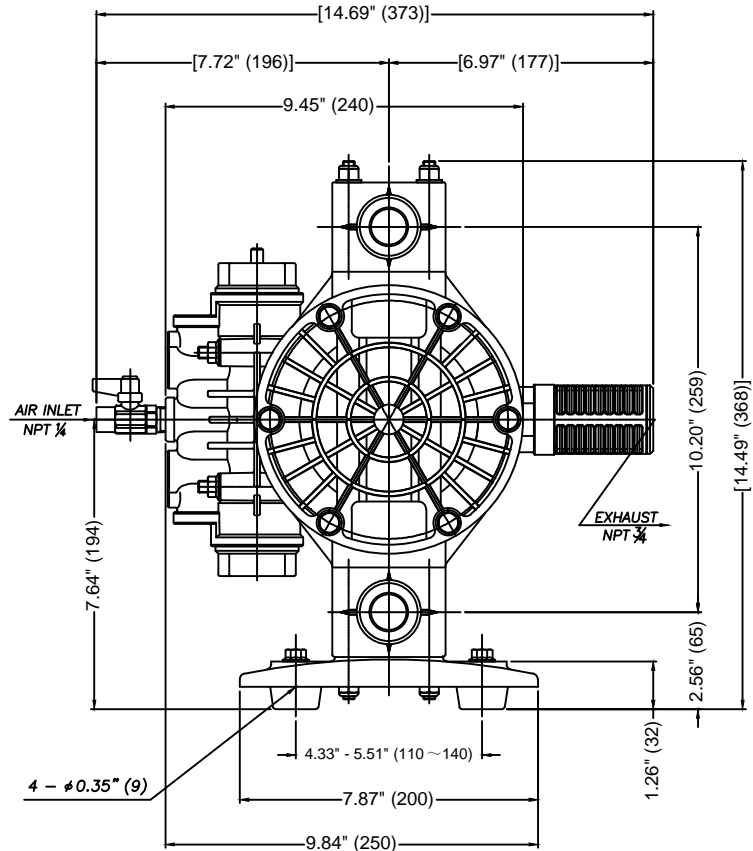
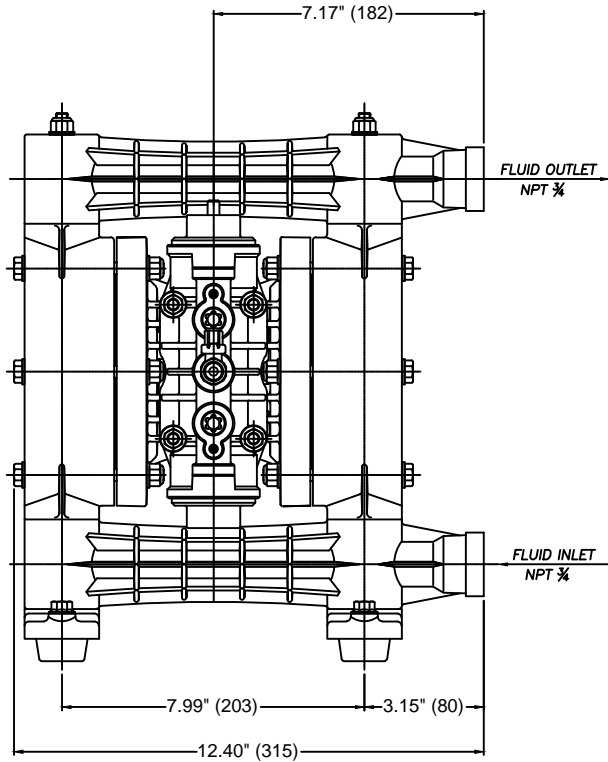
Materials of Construction	
PUMP BODY MATERIAL	PPG
	C=CR
	N=NBR
	T=PTFE
DIAPHRAGM MATERIAL	H=TPEE
	S=TPD
	V=FKM
	E=EPDM





NOTES:
1. SOME FEATURES MAY VARY SLIGHTLY.

PROPRIETARY THIS DRAWING CONTAINS CONFIDENTIAL INFORMATION PROPRIETARY TO IWAKI AMERICA. IT MUST NOT BE REPRODUCED OR FORWARDED TO OTHERS OR USED IN ANY OTHER WAY, IN WHOLE OR IN PART, UNLESS AUTHORIZED IN WRITING BY IWAKI AMERICA.		TOLERANCES DIMENSIONS IN INCHES UNLESS OTHERWISE NOTED X = .050 .XX = .010 .XXX = .005 DEBURR AND BREAK ALL SHARP EDGES		 www.lwakiAir.com 5 Boynton Rd. Hopping Brook Park Holliston, MA 01746 (508) 429-1440	
MATERIAL		SIZE		DESCRIPTION	
SEE CHART		B		TC-X00124	
BY	DATE	SCALE:	THIRD ANGLE PROJECTION	SHEET:	
TK	9/4/2015	FULL		1 OF 1	
APPROVED	DATE	DESCRIPTION		REV	
CJC	9/25/2015	TC-X202P -FL		A	

Materials of Construction	
PUMP BODY MATERIAL	PPG
	C=CR
	N=NBR
	T=PTFE
DIAPHRAGM MATERIAL	H=TPEE
	S=TPD
	V=FKM
	E=EPDM



NOTES:
1. SOME FEATURES MAY VARY SLIGHTLY.

PROPRIETARY THIS DRAWING CONTAINS CONFIDENTIAL INFORMATION PROPRIETARY TO IWAKI AMERICA. IT MUST NOT BE REPRODUCED OR FORWARDED TO OTHERS OR USED IN ANY OTHER WAY, IN WHOLE OR IN PART, UNLESS AUTHORIZED IN WRITING BY IWAKI AMERICA.		TOLERANCES DIMENSIONS IN INCHES UNLESS OTHERWISE NOTED X = .050 .XX = .010 .XXX = .005 DEBURR AND BREAK ALL SHARP EDGES		 www.lwakiAir.com	5 Boynton Rd. Hopping Brook Park Holliston, MA 01746 (508) 429-1440
		MATERIAL SEE CHART			
BY	DATE	SIZE	DWG NO.	DESCRIPTION	REV
TK	9/4/2015	B	TC-X00125	TC-X202P	A
APPROVED	DATE	SCALE:	THIRD ANGLE PROJECTION		SHEET:
CJC	9/25/2015	FULL			1 OF 1