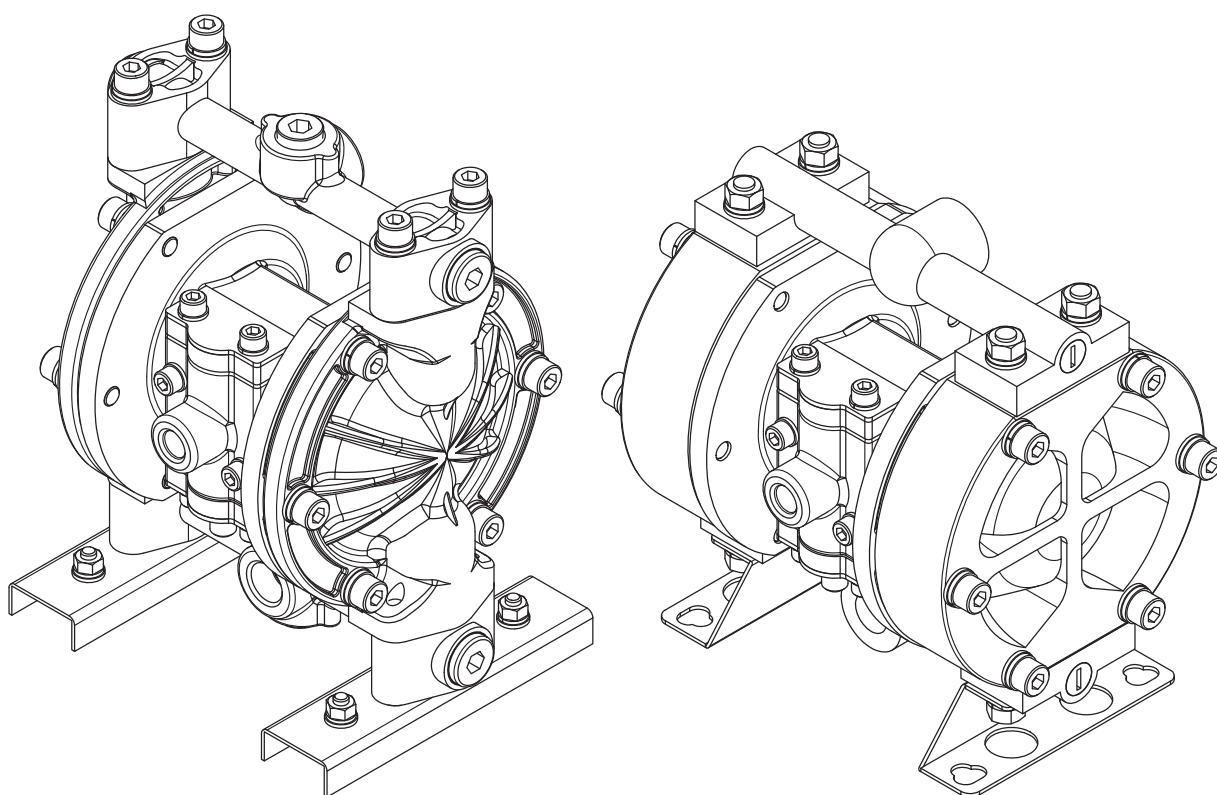




PUMP SERVICE BOOK

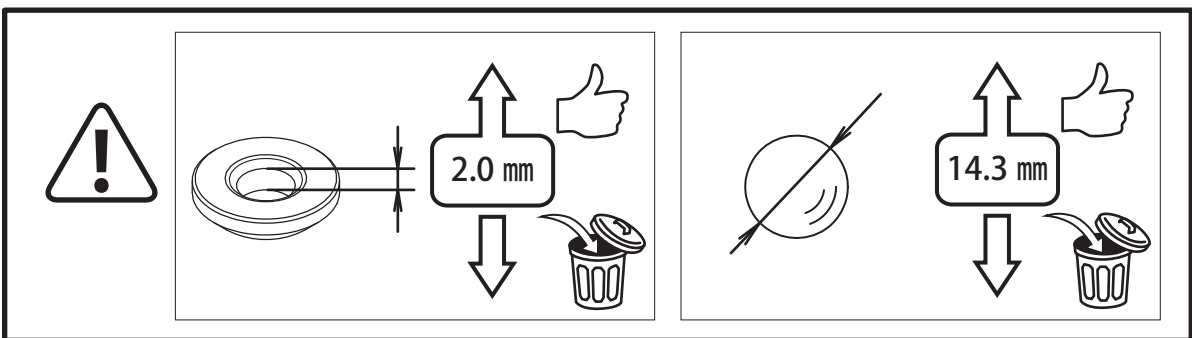
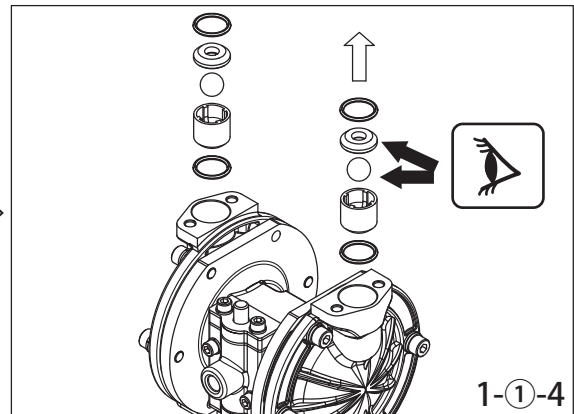
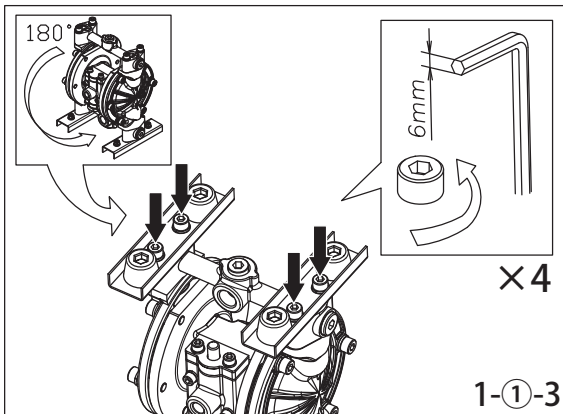
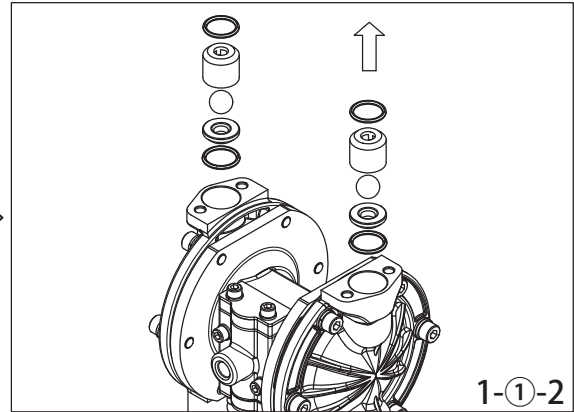
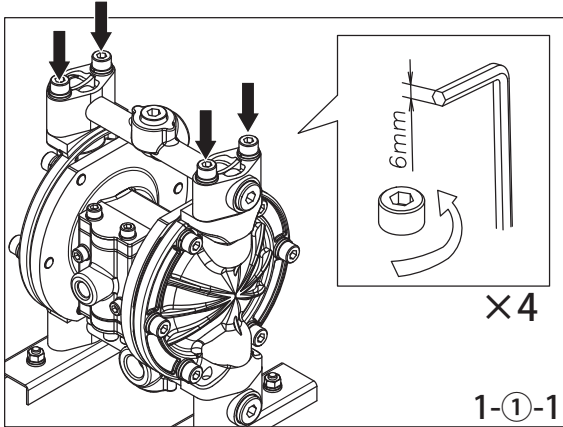


TC-X101A TC-X101S TC-X100P TC-X100P-PP

Series Pumps

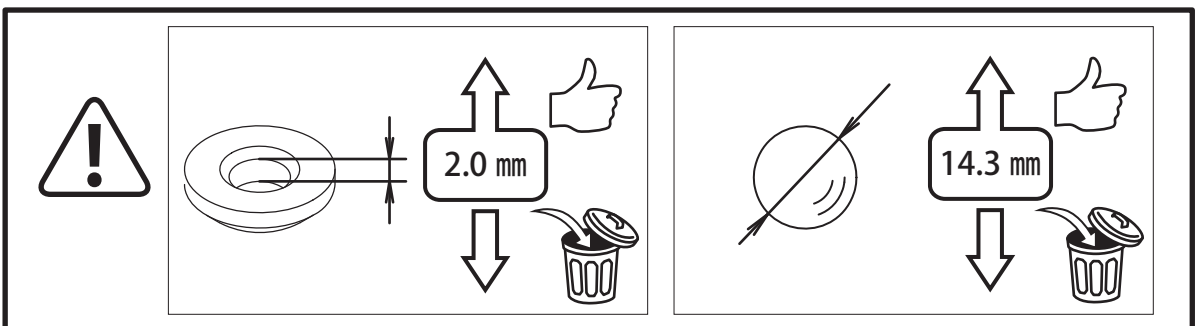
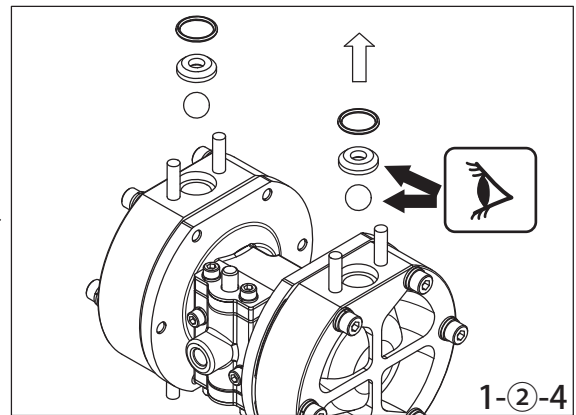
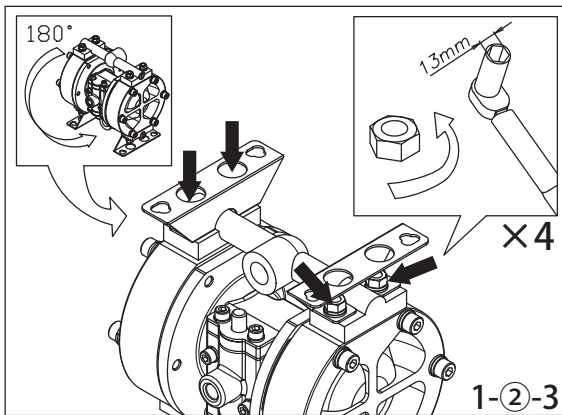
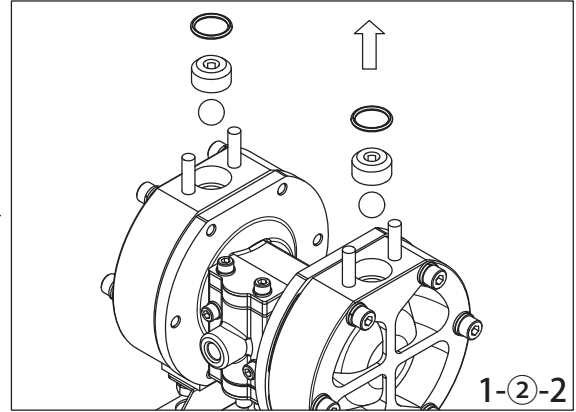
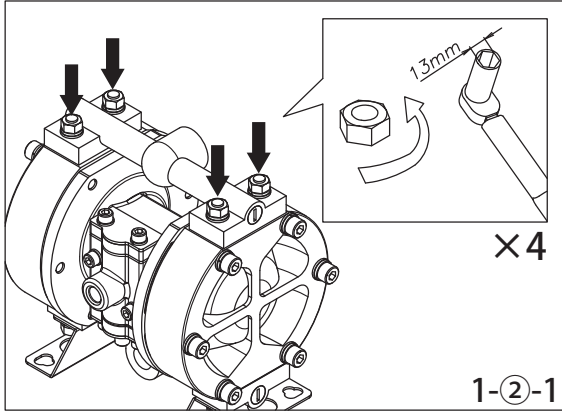


1-① AC AN AT AH AS
SC SN ST SH SS

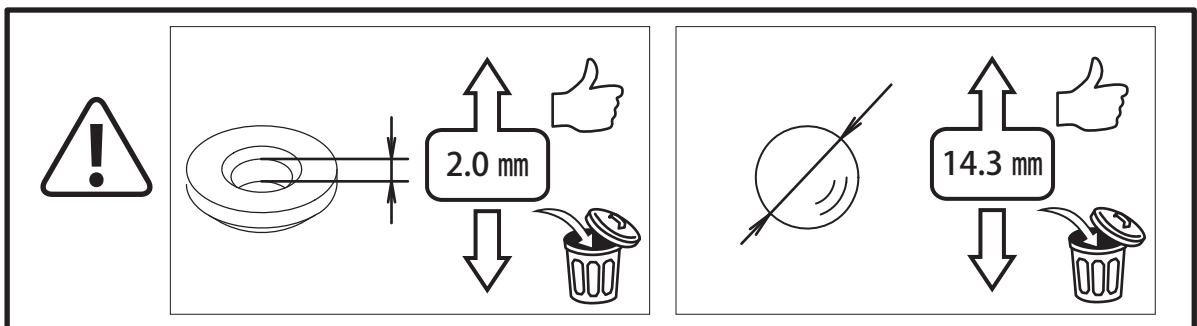
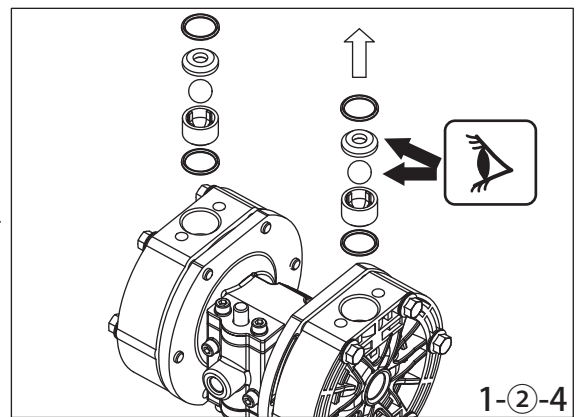
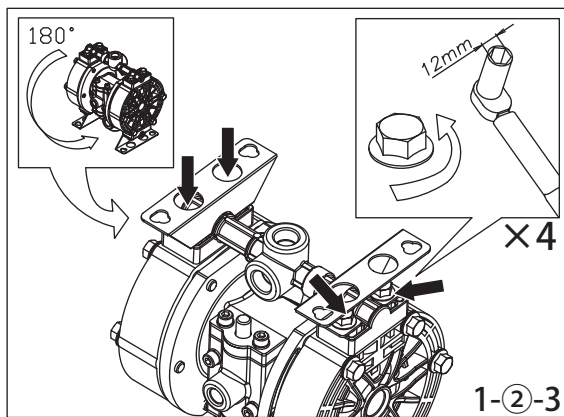
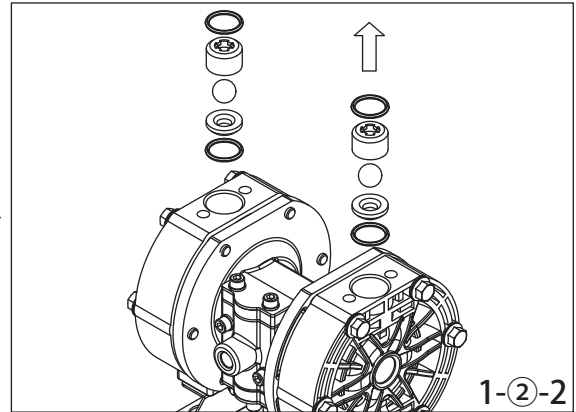
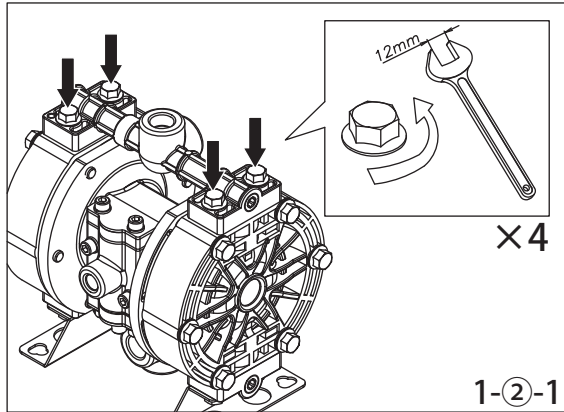


1

1-② PC PN PT PH PS



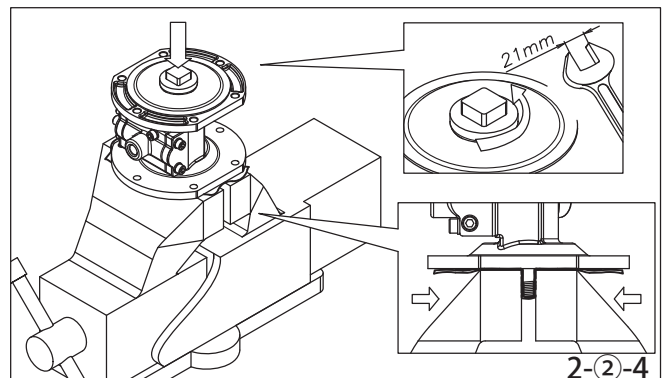
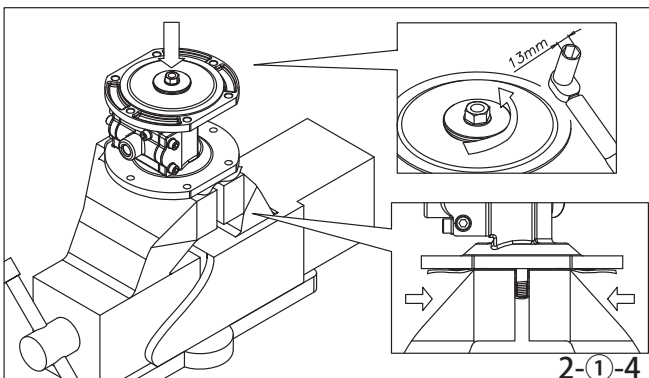
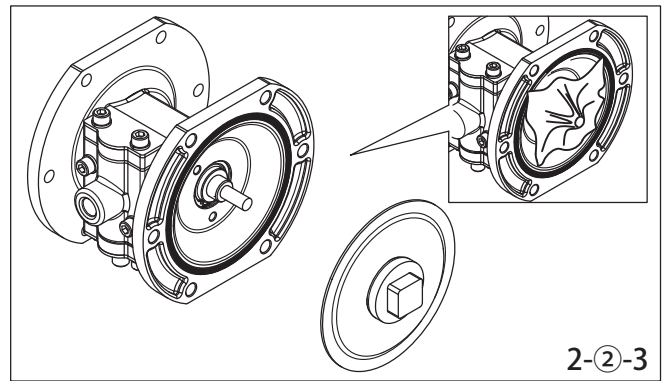
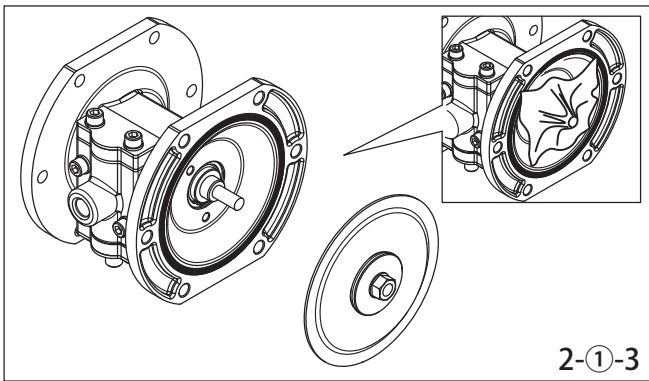
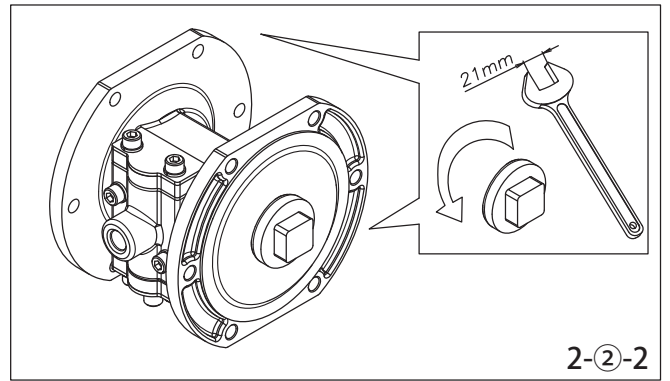
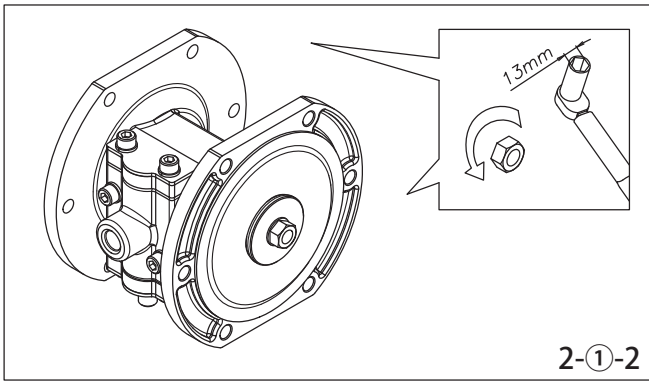
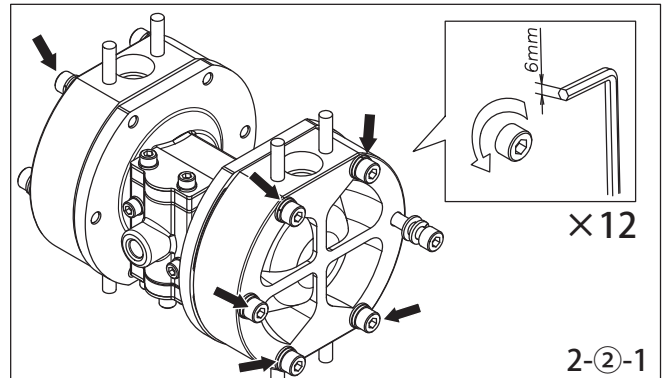
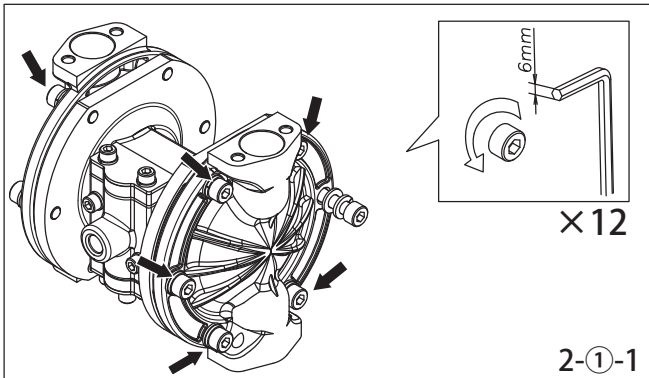
1-③ PC-PP PN-PP PT-PP PH-PP PS-PP



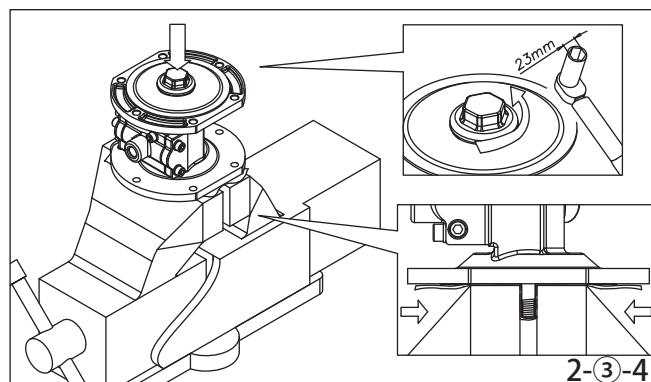
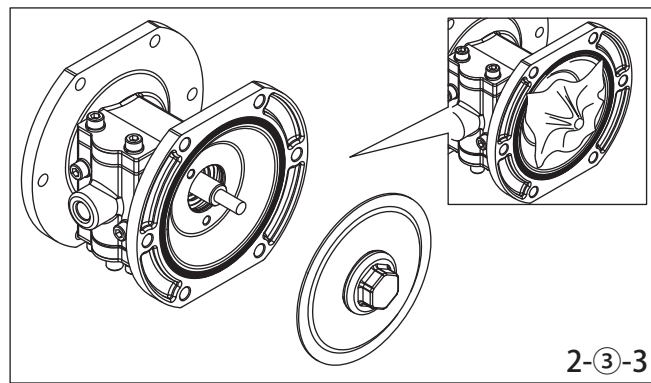
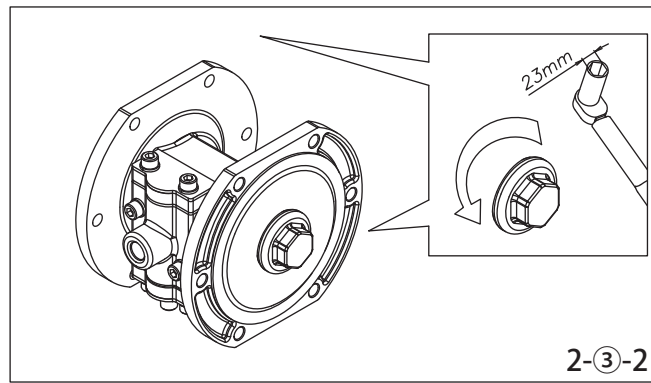
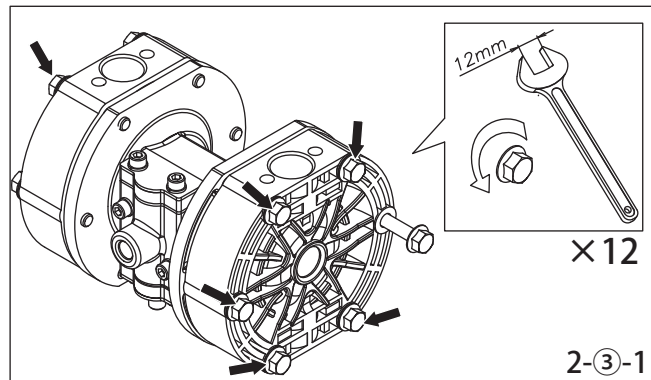
2

2-① AC AN AT AH AS
SC SN ST SH SS

2-② PC PN PT PH PS



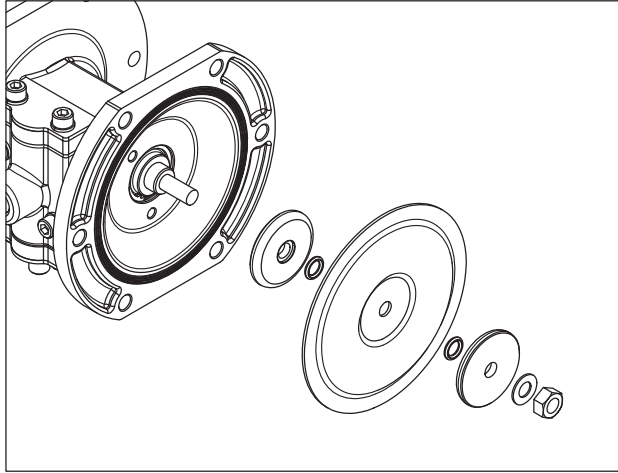
2-③ PC-PP PN-PP PT-PP PH-PP PS-PP



3

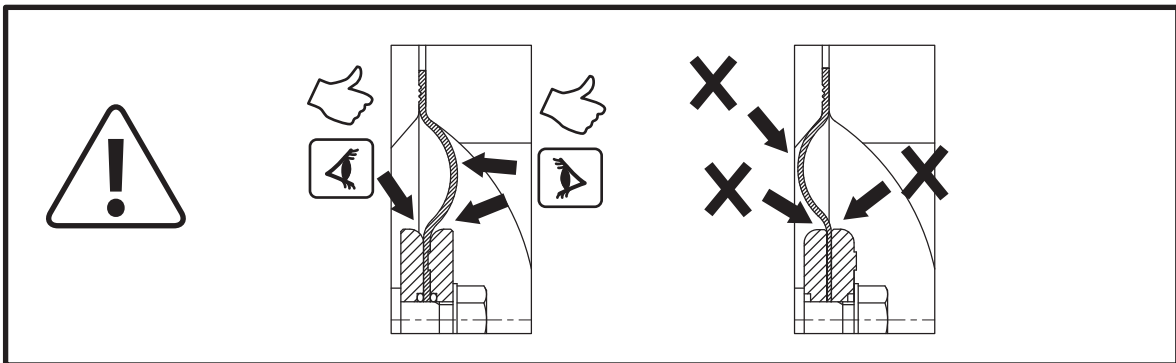
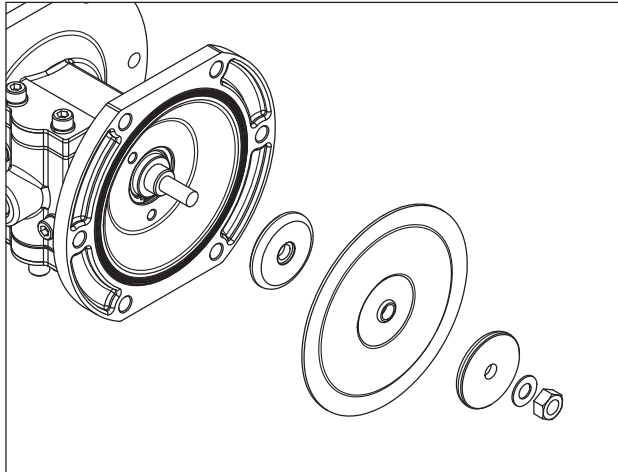
3-①

AC SC
AN SN
AT ST



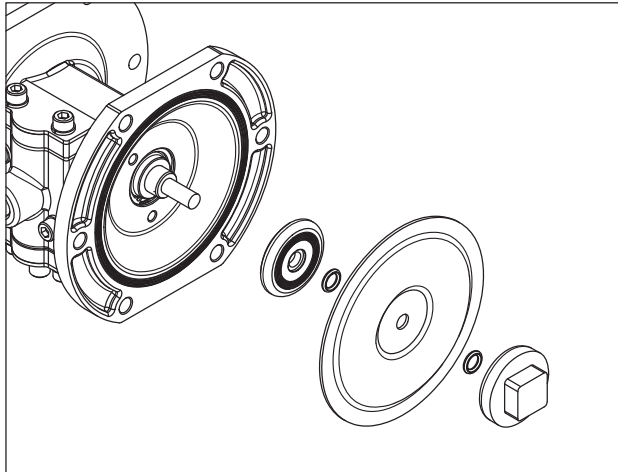
3-②

AH SH
AS SS



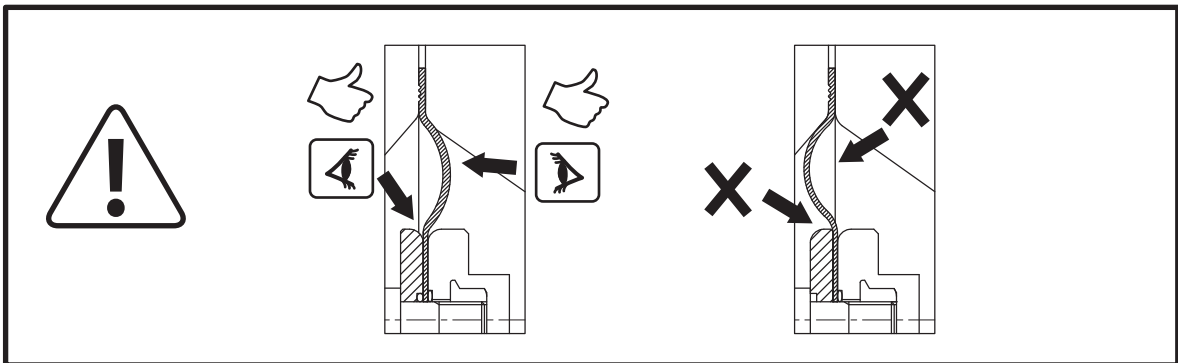
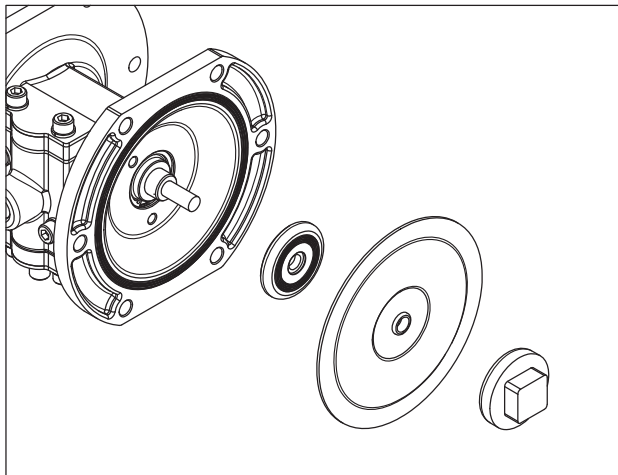
3-③

PC
PN
PT



3-④

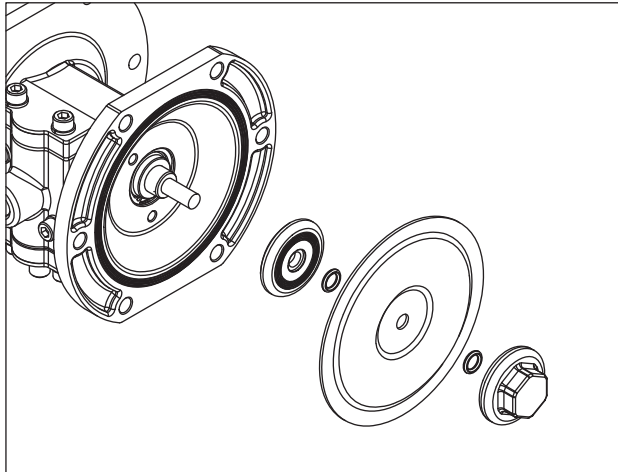
PH
PS



3

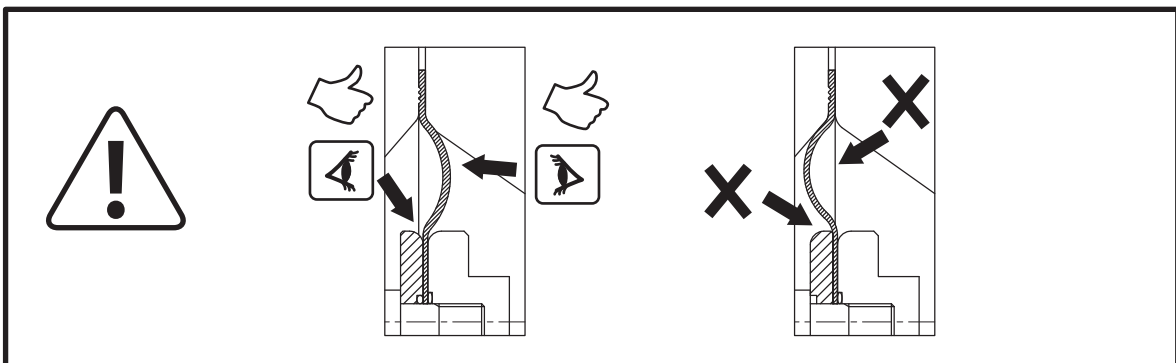
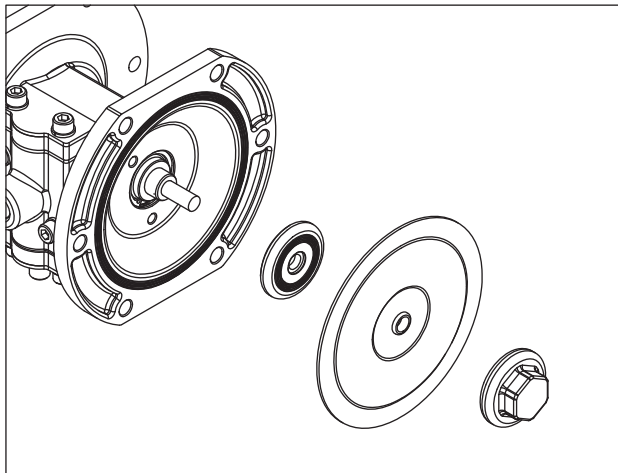
3-⑤

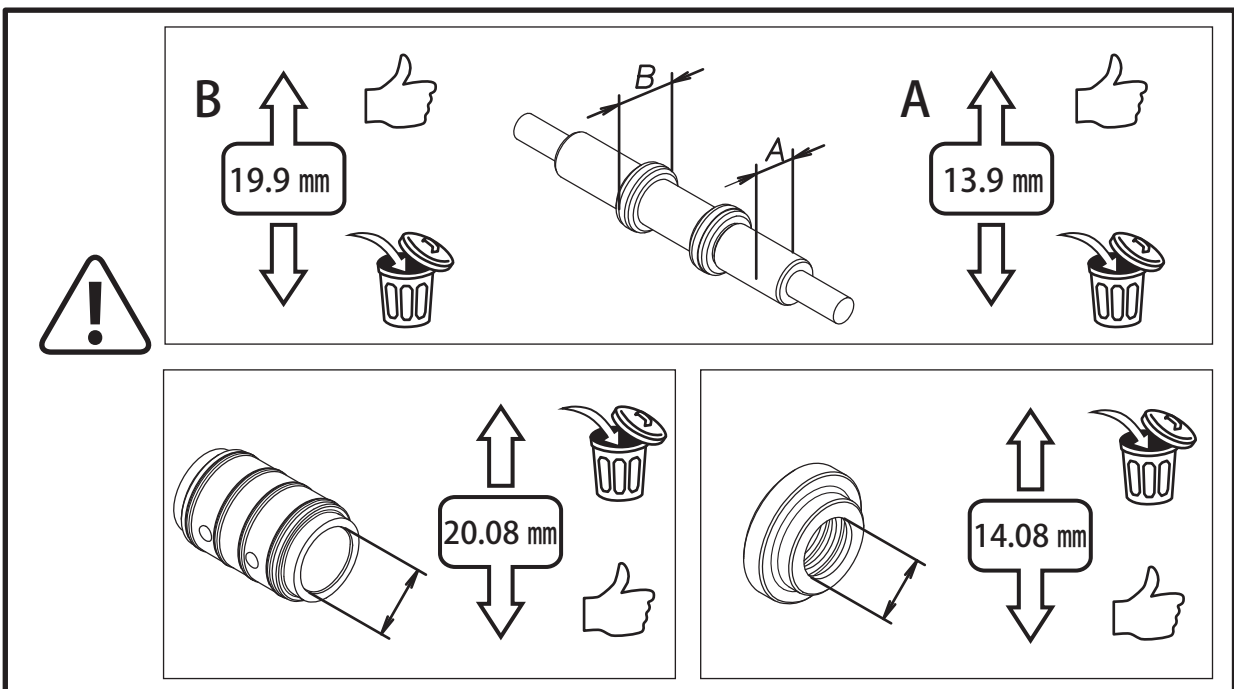
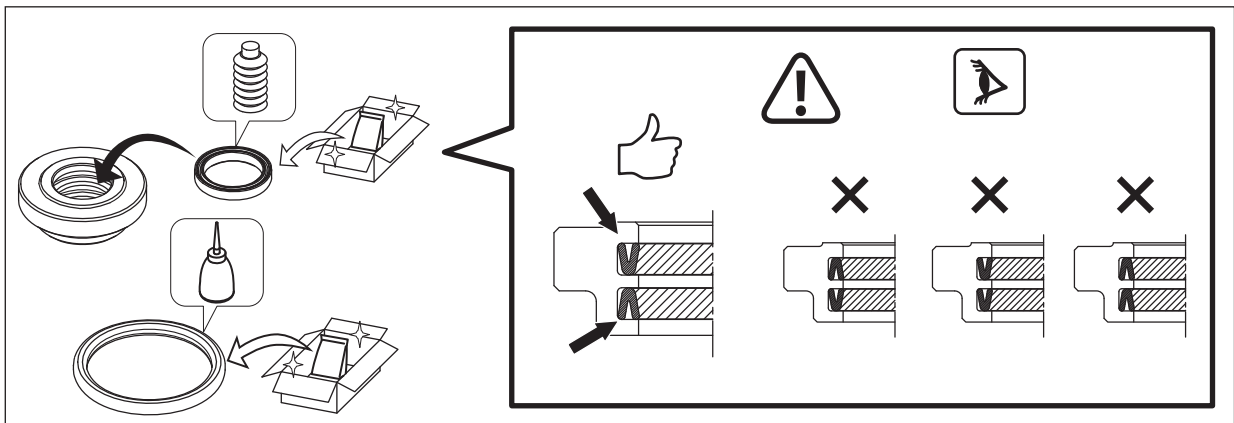
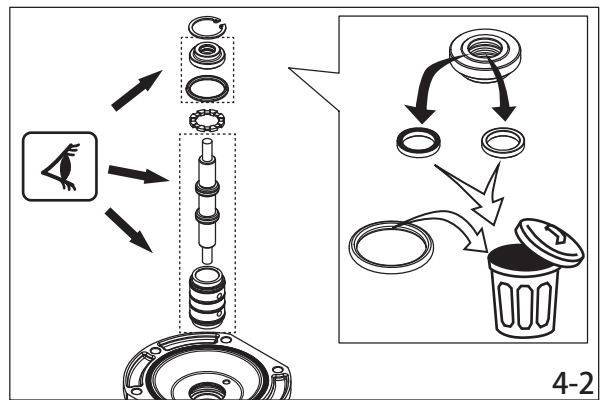
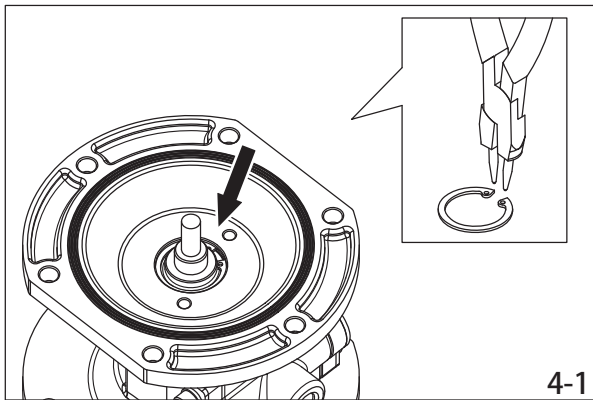
PC-PP
PN-PP
PT-PP



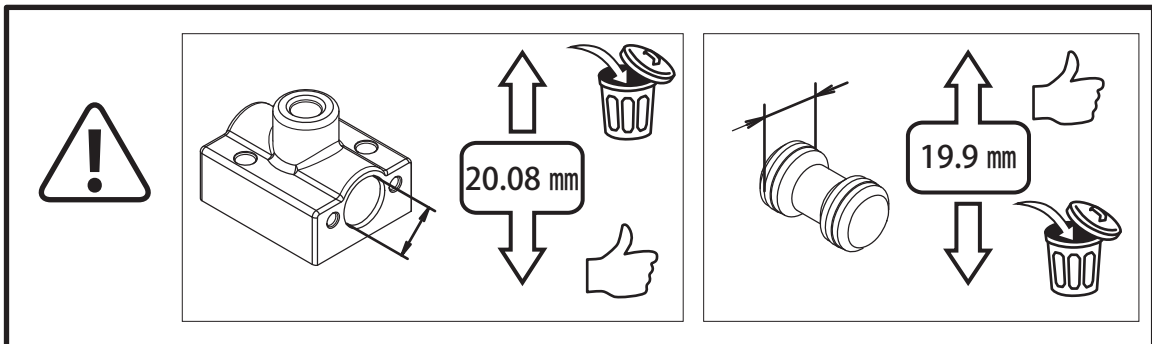
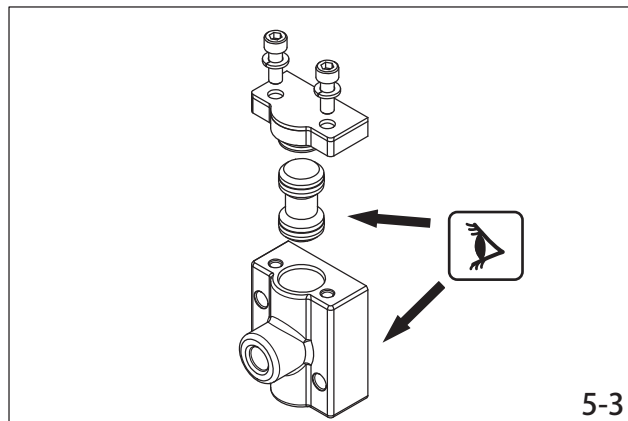
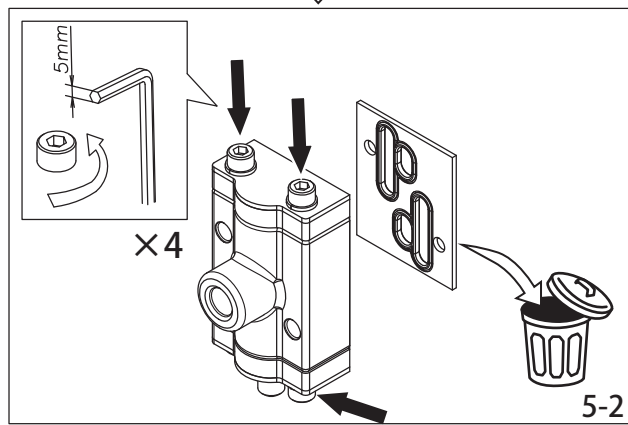
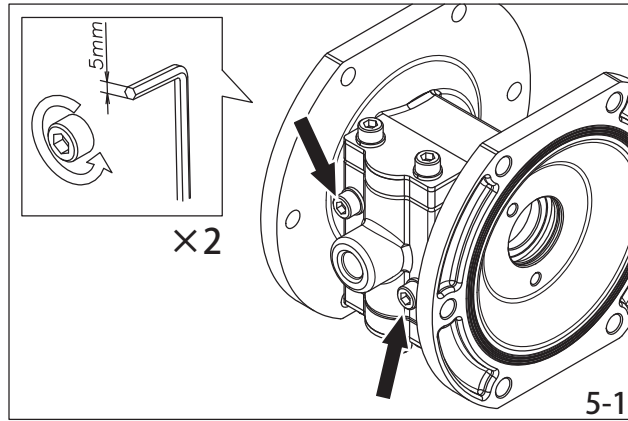
3-⑥

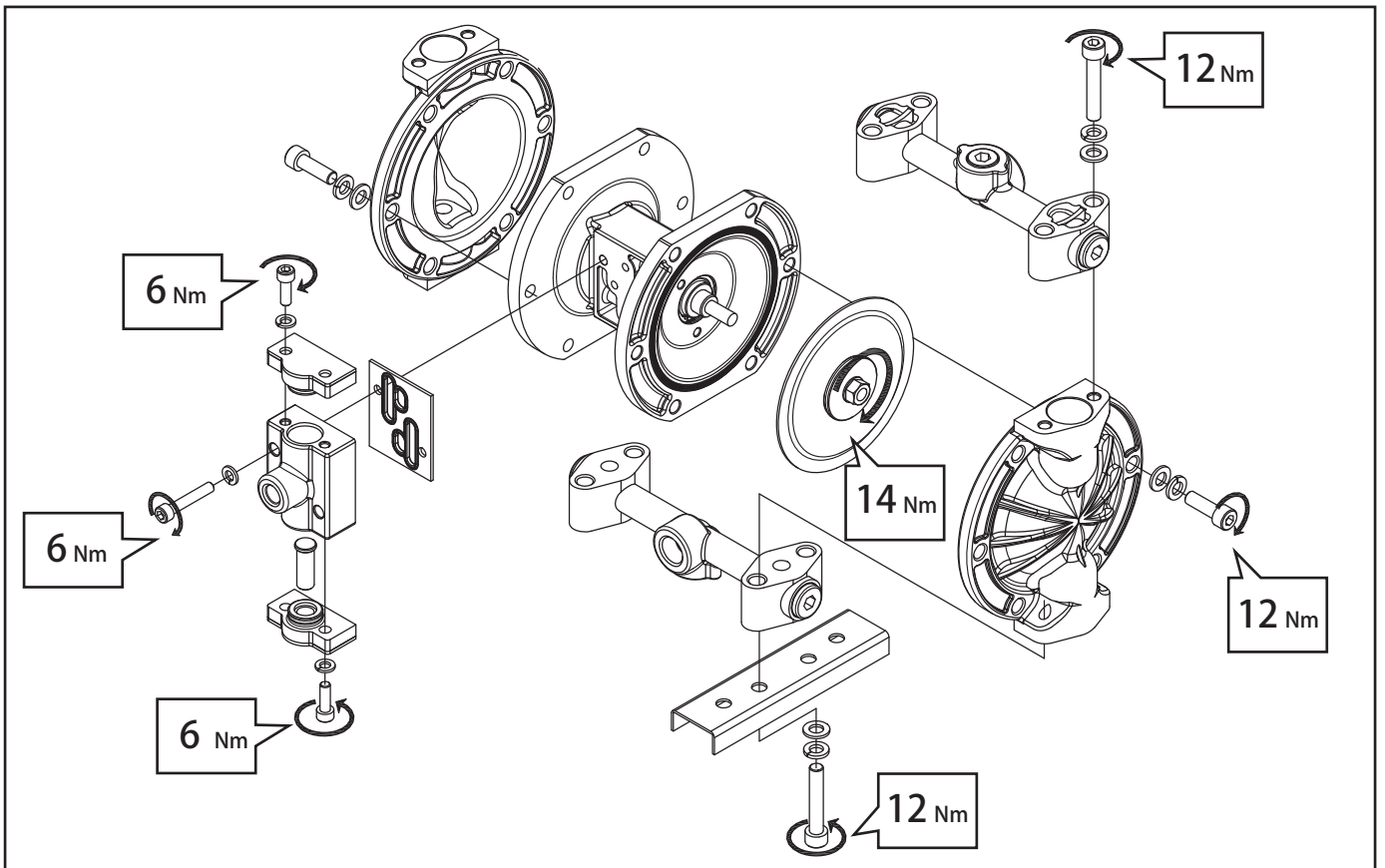
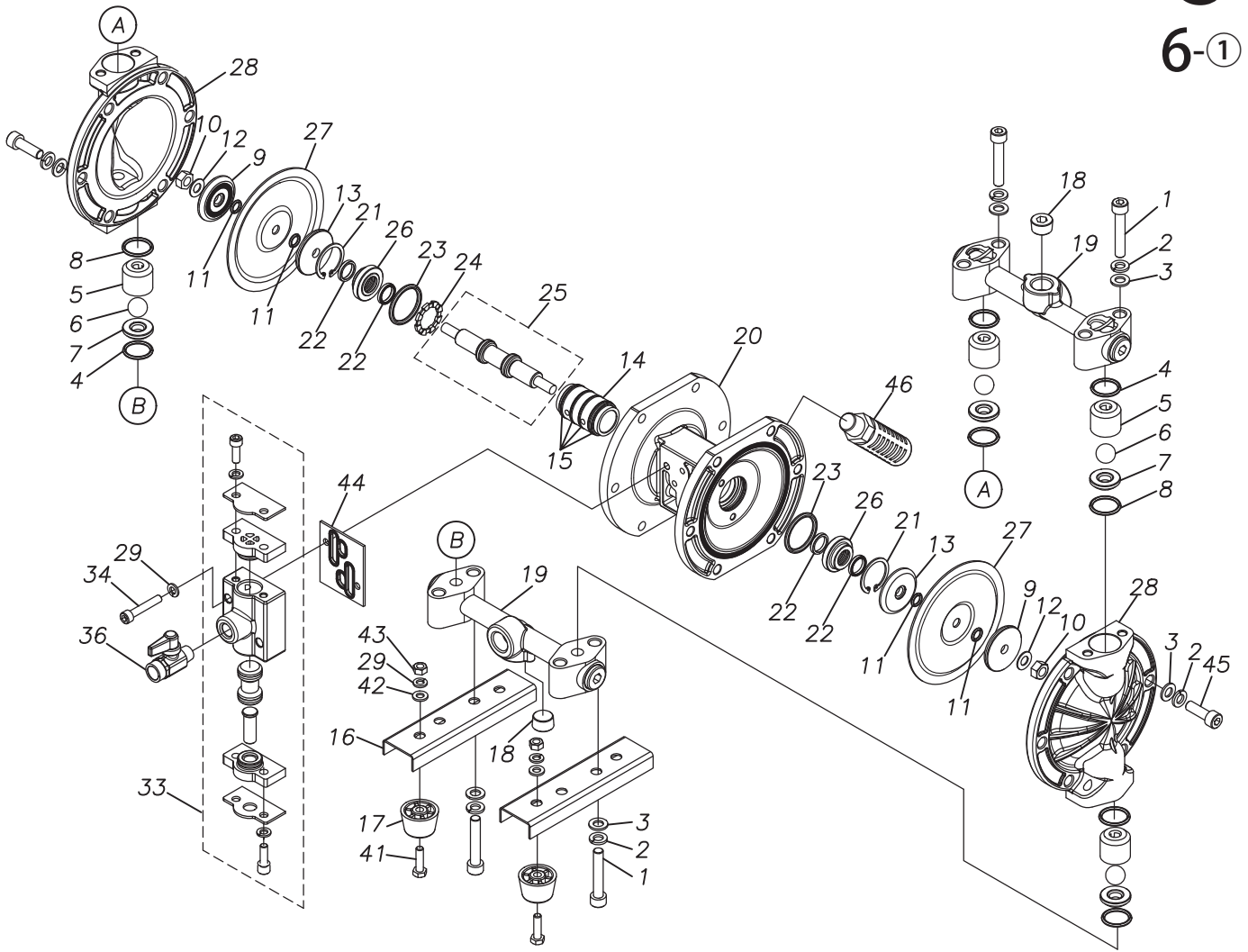
PH-PP
PS-PP





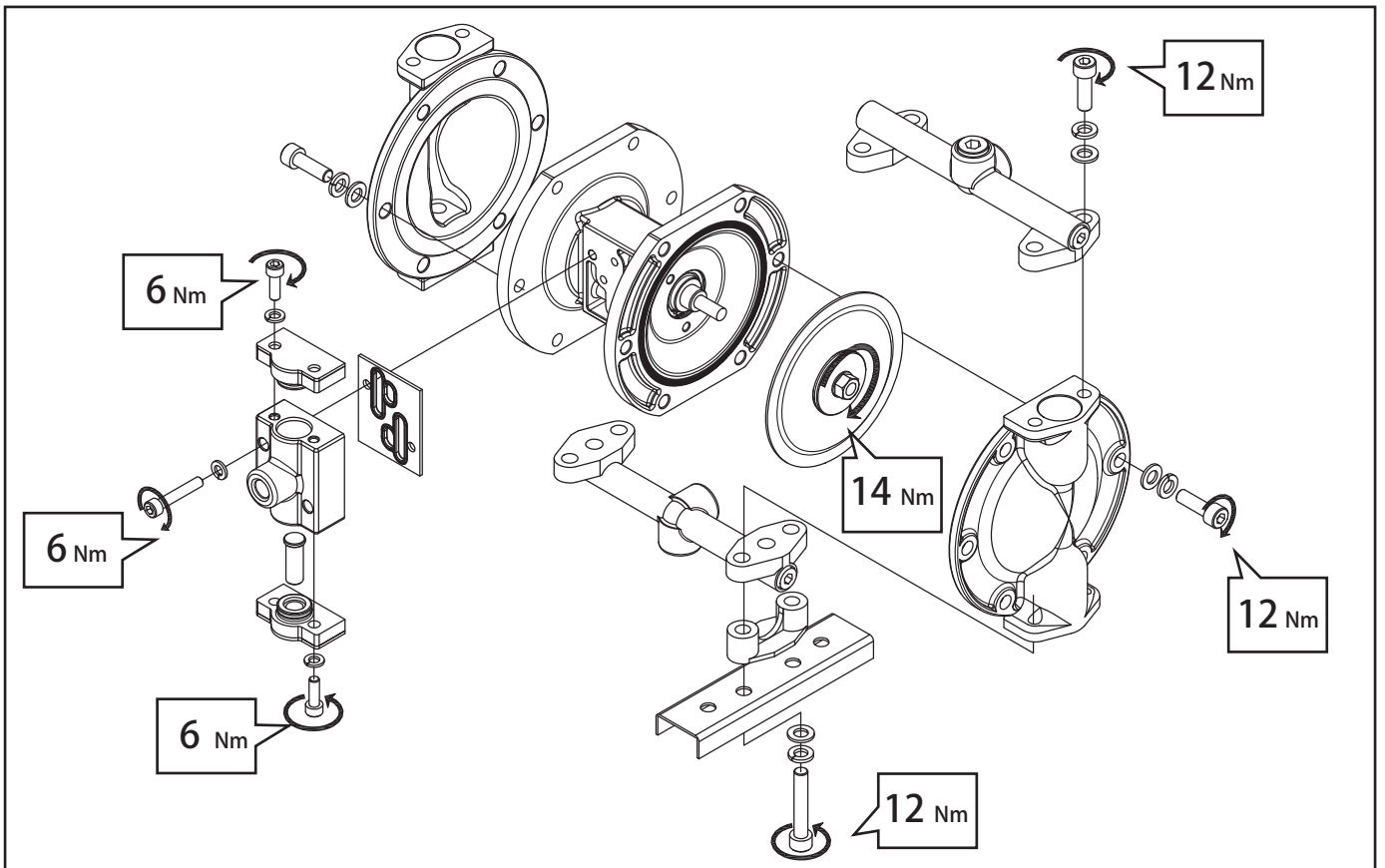
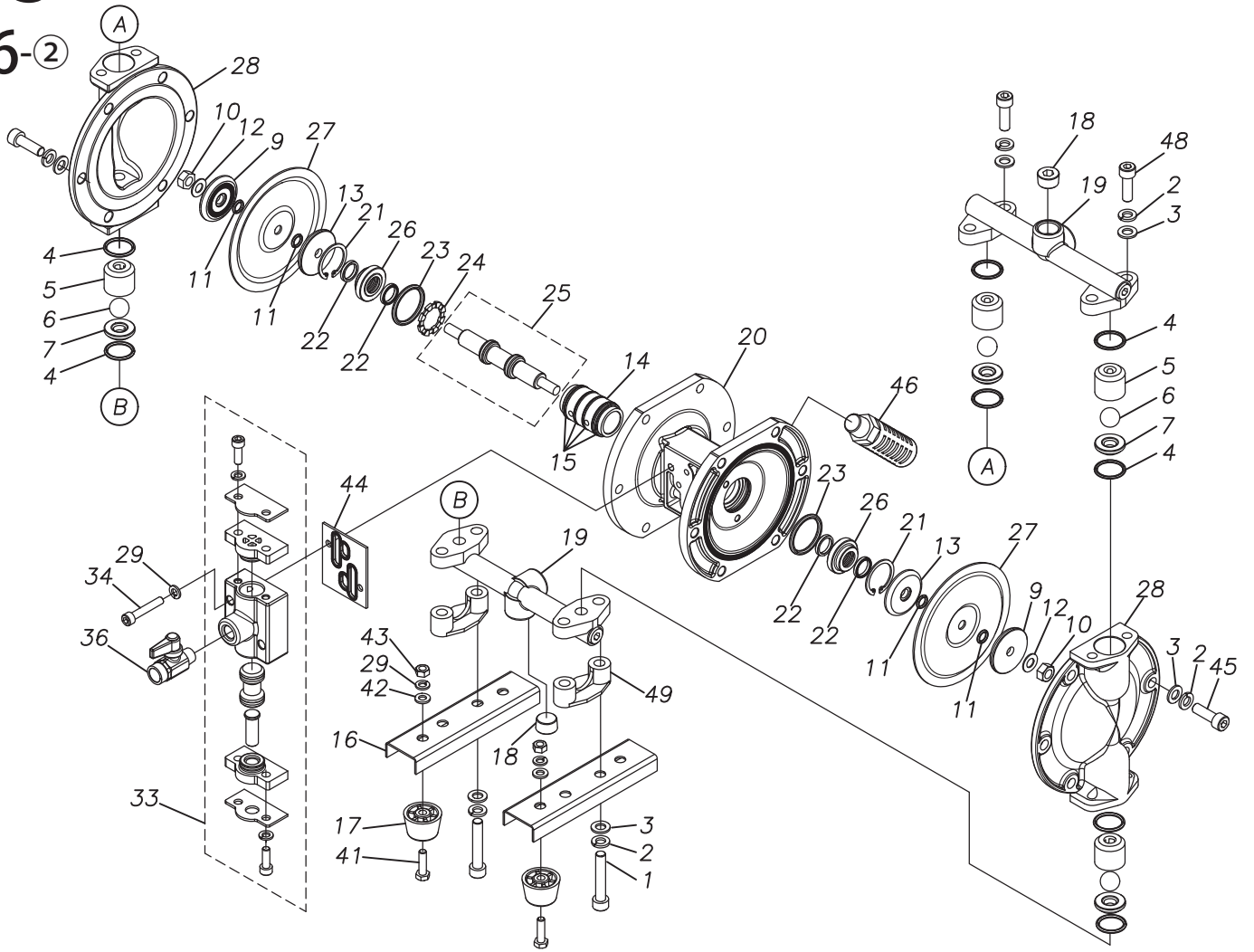
5

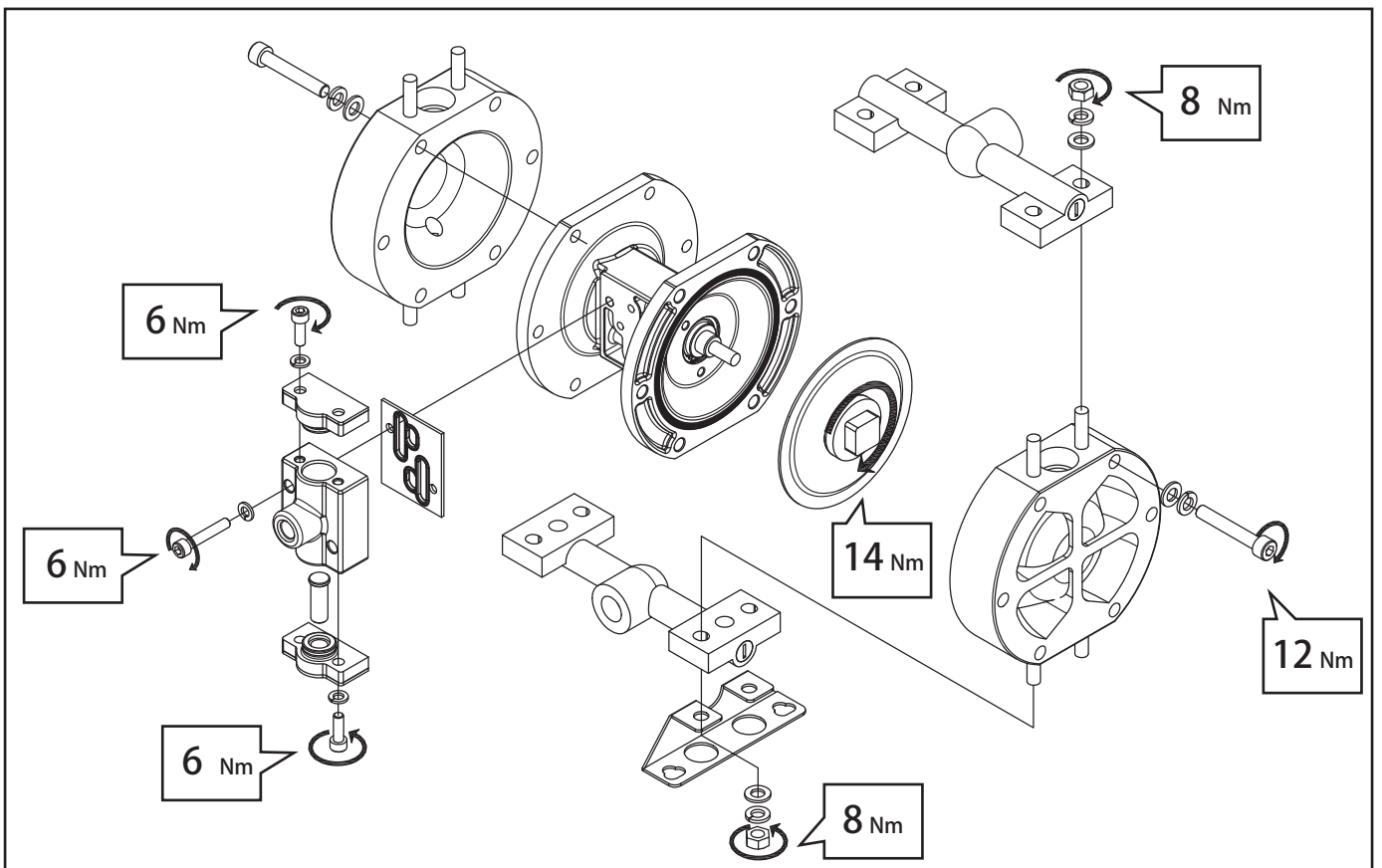
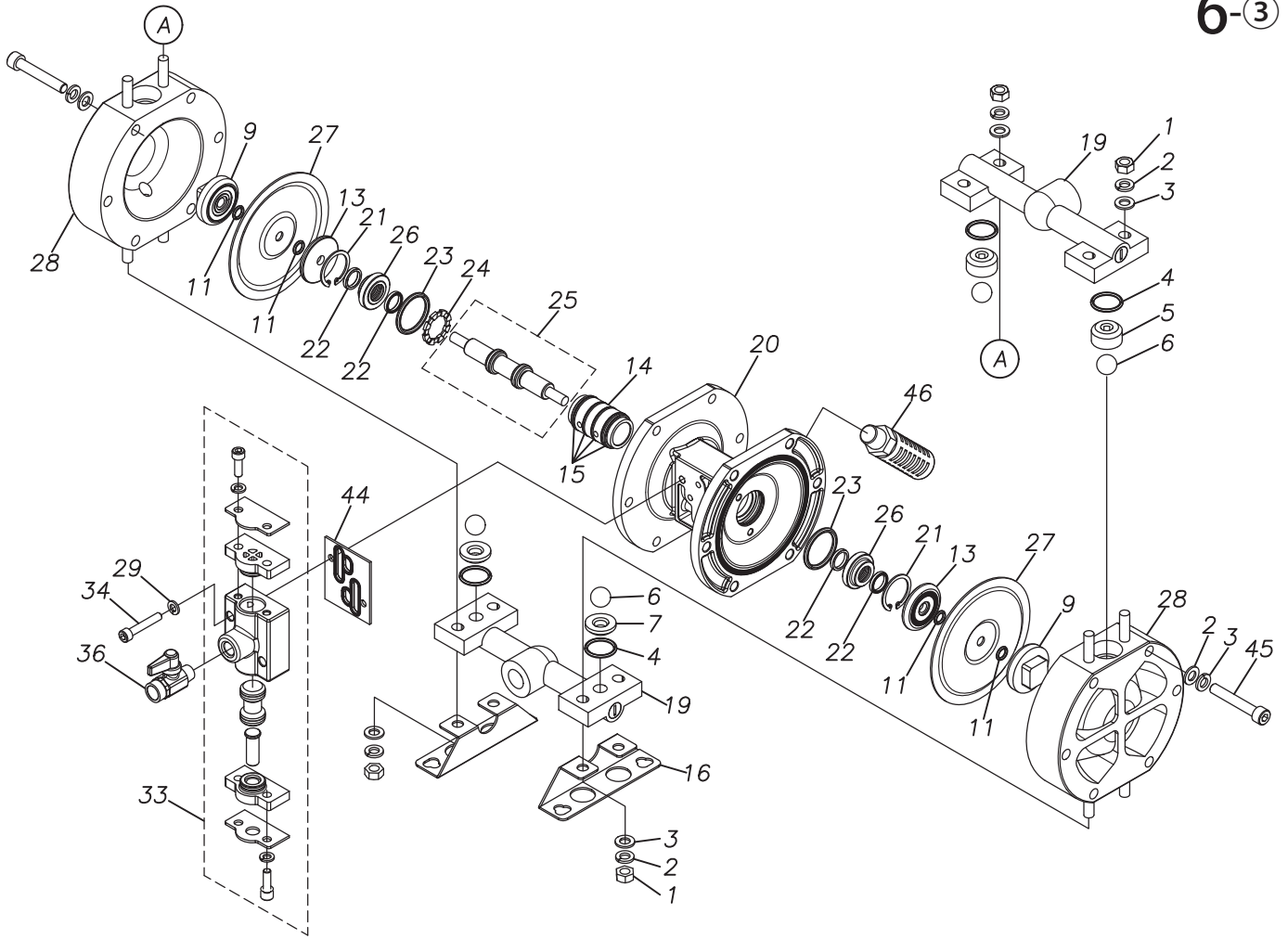




6

6-2





6

6-4

