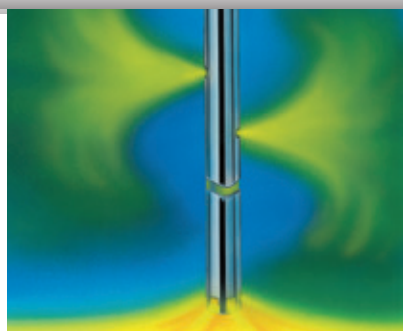


Chemical resistance table

for Lutz pump tubes, flow meters
and nozzles



Safety is our Concern

Finding your way around the Lutz chemical resistance table

1. General

This chemical resistance table contains reasonably concise information about the chemical resistance characteristics of the different types of pump tubes and flow meters to various media. The materials coming into contact with the liquids which are employed in the pump tubes have been tested with regard to their chemical resistances and assessed for use at room temperature.

The chemical resistance table is intended as a guide to the suitability of each pump tube; it also specifies any materials which are wholly unsuitable for certain concrete applications. Please do not hesitate to consult us directly if you are unable to find the most suitable material for your pump tube or copy and fill out the form on page 19 and fax back to us.

In cases where the resistance characteristics cannot be verified, or where any other reservations exist regarding the use of a particular combination of materials, we strongly recommend trying out the equipment under operating conditions. We can provide samples of various materials on request. It should be remembered that discolouring on the surface, minor increases in the weight and/or volume and changes to the mechanical properties (strain characteristics, strength properties, etc.) do not necessarily affect functioning to a sufficient extent to preclude the use of a material.

Since corrosion is influenced by a variety of factors, the information contained in the table cannot necessarily be applied to all operating conditions. Corrosion may be accelerated by temperature increases, by medium concentrations or by the entry of water into media which are otherwise pure. Discrepancies regarding the long-term resistance of plastics and elastomers are also possible, depending on the amount of impurities in the medium as well as on the compounding and degree of vulcanisation of the sealing materials.

The table specifications are based on the assumption that no other mechanical forces are effective.

2. How to use the table

The corrosive media are arranged in the table in alphabetical order. Formulas of chemical compounds are included for the purposes of simplification. Where known and meaningful, the table also lists the concentration, density, temperature classes, danger classes and explosion groups of the media.

This table is an excellent guide for liquids at ambient temp (68 °F) since a large part of the information it contains was only available at ambient temperature. In view of the continuing advances in the field of plastics, extensive suitability tests may reveal that some of the materials employed in our pumps can be substituted or that others which are not mentioned can in fact be used. New materials are therefore likely to be added to the table at some stage in the future. At the same time we are constantly endeavouring to eliminate any gaps in our information.

All the information in the resistance characteristics table is based on empirical values supplied by industry and on the results of tests performed in our own laboratories.

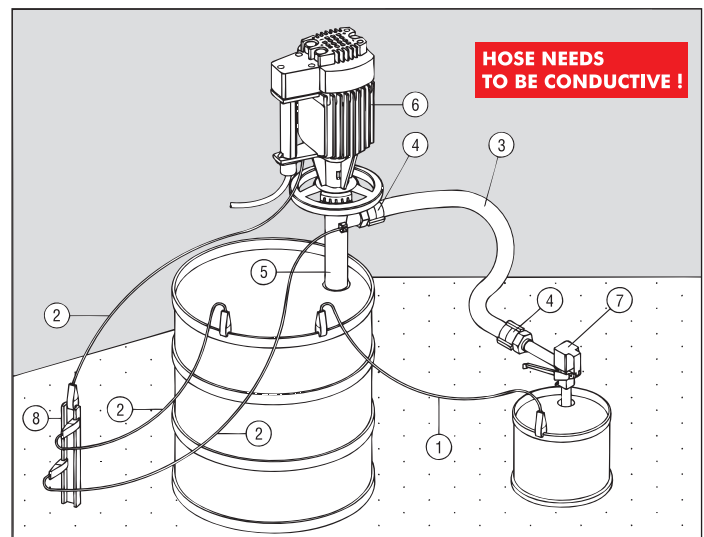
The resistance data specified for the individual products do not provide any entitlement to make warranty claims, since it is merely intended to serve as a recommendation for practical applications.

You can make your product choice more reliable by taking account of your own experience with regard to the resistance of particular materials to aggressive media.

Special attention should be paid to the guidelines concerning flammable liquids.

Meanings of symbols and notes:

- Resistant
- Non-resistant
- ② Special seal EPDM
- ③ Special seal FPM-FEP
- ④ Special bearing Rulon
- ⑤ Measuring chamber f. Nitric Acid
- ⑥ On demand
- sat. saturated



Bonding and Grounding Diagram

- ① Bonding wire
- ② Ground wire
- ③ Conductive hose
- ④ Conductive fitting of the hose into hose connector
- ⑤ Metal pump tube for zone "0" in Stainless steel or Hastelloy "C"
- ⑥ Explosion proof motor Silver Star ME I 6 or MD1xL/MD2xL (Ex)
- ⑦ Nozzle in Stainless steel (handregulated)
- ⑧ Earthing rod

WARNING: When using in hazardous location or when pumping flammable or explosive liquids only pump tubes marked "Zone 0" are to be used. Such metal tubes are only Stainless Steel and Hastelloy "C" tubes.

All reprints, transcripts and copies of this publication, either in part or in full, require the prior written agreement of Lutz.



Lutz-Chemical Resistance Table

- = Resistant
- = Non-resistant
- ② = Special seal EPDM
- ③ = Special seal FPM-FEP
- ④ = Special bearing Rulon
- ⑤ = Measuring chamber for Nitric Acid
- ⑥ = On demand

No.	Medium	Formula	% Concentration	Spec. gravity	Temperature Class (EN)	Use only Lutz Silver Star ME I 6, MD1xL/MD2xL with stainless steel or Hastelloy C pump tubes.	Lutz Pump Tubes										Lutz Flow Meters						Nozzles						
							PP				PVDF	Alu		SS		HC	TR	ST	SL	LM	UN	VA							
							MMS-PP SS RE 88 PP, MP-PP	MMS-PP HC	MSL-PP 41 SS	B2 SL-PP MSL-PP 41 HC	MMS-PVDF, B200 MMS-PVDF	MSL-PVDF	MMS-Alu	MSL-Alu	MMS-SS B70V-SR-PTFE MS	B2-SL-SS (not Ex)	MSL-SS	RE 88 SS MP-SS	SL-HC	TR3-PP	TR3-PVDF	PPO/SAN/BaFe	PPO/PPS	PPS/LCP/BaFe	PPS/LCP	SS/PPS	Nozzle PP/FPM	Nozzle PVDF/FPM	Nozzle Brass/PTFE
1	Acetaldehyde	CH ₃ CHO	40				②	②	○	○	②	○	○	○	-	-	-	-	○	○	○	②	②	○	②	-			
2	Acetaldehyde	CH ₃ CHO	pure	0.79	T4	Ex	-	-	-	-	-	-	-	②	○	○	○	-	-	-	○	○	○	-	-	○	②	-	
3	Acetamide	CH ₃ CONH ₂	pure	0.98			○	○	○	○	○	-	-	○	○	○	○	-	-	○	-	○	○	○	○	○	-	○	-
4	Acetic Acid	CH ₃ COOH	10				②	②	○	○	②	○	-	②	○	○	○	-	-	-	③	-	○	○	②	②	-	②	-
5	Acetic Acid	CH ₃ COOH	25				②	②	○	○	②	○	-	②	○	○	○	-	-	-	③	-	○	○	②	②	-	②	-
6	Acetic Acid	CH ₃ COOH	50				②	②	○	○	②	○	-	②	○	○	○	-	-	-	③	-	○	○	②	②	-	②	-
7	Acetic Acid	CH ₃ COOH	80				-	-	○	○	-	-	⑥	○	○	○	-	-	-	③	-	○	○	③	③	-	③	-	
8	Acetic Acid	CH ₃ COOH	100	1.05	T1	Ex	-	-	-	-	-	-	⑥	○	○	○	-	-	-	-	-	○	○	-	-	-	③	-	
9	Acetic Anhydride	(CH ₃ CO) ₂ O	pure	1.09	T2	Ex	-	-	-	-	-	-	②	○	○	○	-	-	-	-	-	○	○	-	-	-	②	-	
10	Acetic Ester	CH ₃ COOC ₂ H ₅	100	1.03	T2		-	-	-	-	-	-	○	⑥	○	○	○	-	-	-	-	-	-	○	-	-	○	③	-
11	Acetic Methyl Ester	CH ₃ COOCH ₃	100	0.93	T1	Ex	-	-	-	-	-	-	⑥	○	○	○	-	-	-	-	-	○	○	-	-	-	③	-	
12	Acetone	CH ₃ COCH ₃	10		T1	Ex	-	-	-	-	-	-	②	○	○	○	-	-	-	-	○	○	○	-	-	○	②	-	
13	Acetone	CH ₃ COCH ₃	pure	0.79	T1	Ex	-	-	-	-	-	-	②	○	○	○	-	-	-	-	○	○	○	-	-	○	②	-	
14	Acetonitrile	CH ₃ CN		0.78	T1	Ex	-	-	-	-	-	-	⑥	○	○	○	-	-	-	-	○	○	○	-	-	-	③	-	
15	Acrylonitrile	CH ₂ CHCN	pure	0.81	T1	Ex	-	-	-	-	-	-	⑥	○	○	○	-	-	-	-	○	○	○	-	-	○	③	-	
16	Adipic Acid	HOOC(CH ₂) ₄ COOH	sat.	1.36	T2		○	○	○	○	○	○	○	○	○	○	○	○	○	○	○	○	○	○	○	○	○	○	○
17	Allyl Alcohol	H ₂ C = CHCH ₂ OH	96	0.85	T2	Ex	-	-	-	-	-	-	⑥	○	○	○	-	-	-	-	-	○	○	-	-	-	③	-	
18	Alum	KAl(SO ₄) ₂ ·x12H ₂ O	50				○	○	○	○	○	○	○	○	○	○	○	○	○	○	○	○	○	○	○	○	○	○	○
19	Aluminium Chloride	AlCl ₃	10				-	○	-	○	○	-	-	-	-	-	○	○	○	-	○	-	○	-	○	○	-	-	-
20	Aluminium Chloride	AlCl ₃	sat.				-	○	-	○	○	-	-	-	-	-	○	○	○	-	○	-	○	-	○	○	-	-	-
21	Aluminium Nitrate	Al(NO ₃) ₃	sat.				○	○	○	○	○	-	-	○	○	○	○	○	○	-	○	-	○	○	○	○	-	○	-
22	Aluminium Sulfate	Al ₂ (SO ₄) ₃	10				○	○	○	○	○	-	-	○	○	○	○	○	○	-	○	○	○	○	○	○	-	○	-
23	Aluminium Sulfate	Al ₂ (SO ₄) ₃	sat.	1.61			○	○	○	○	○	-	-	○	○	○	○	○	○	-	○	○	○	○	○	○	-	○	-
24	Ammonia	NH ₃	sat.	0.61	T1		②	②	○	○	②	○	-	②	○	○	○	-	-	-	②	-	②	②	②	②	-	②	⑥
25	Ammonium Acetate	CH ₃ COONH ₄					②	②	○	○	②	○	②	○	○	○	-	-	③	③	○	○	○	②	②	○	②	-	
26	Ammonium Carbonate	(NH ₄) ₂ CO ₃					②	②	○	○	②	○	②	○	○	○	-	-	③	③	○	○	○	②	②	○	②	-	
27	Ammonium Chloride	NH ₄ Cl	sat.	1.07			-	○	-	○	○	-	-	-	-	-	○	○	-	○	-	○	-	○	○	-	-	-	
28	Ammonium Di-Hy.Phosphate	NH ₄ H ₂ PO ₄					○	○	○	○	○	-	-	○	○	○	○	○	○	-	○	-	○	○	○	○	-	○	-



Lutz-Chemical Resistance Table

- = Resistant
- = Non-resistant
- ② = Special seal EPDM
- ③ = Special seal FPM-FEP
- ④ = Special bearing Rulon
- ⑤ = Measuring chamber for Nitric Acid
- ⑥ = On demand

No.	Medium	Formula	% Concentration	Spec. gravity	Temperature Class (EN)	Use only Lutz Silver Star ME I 6, MD1xL/MD2xL with stainless steel or Hastelloy C pump tubes.	Lutz Pump Tubes										Lutz Flow Meters						Nozzles							
							PP				PVDF	Alu		SS		HC	TR	ST	SL	LM	UN	VA								
							MMS-PP SS	RE 88 PP, MP-PP	MMS-PP HC	MSL-PP 41 SS	B2 SL-PP	MSL-PP 41 HC	MMS-PVDF, B200 MMS-PVDF	MSL-PVDF	MMS-Alu	MSL-Alu	MMS-SS	B70V-SR-PTFE MS	B2-SL-SS (not Ex)	MSL-SS	RE 88 SS	MP-SS	SL-HC	TR3-PP	TR3-PVDF	PPO/SAN/BaFe	PPO/PPS	PPS/LCP/BaFe	PPS/LCP	SS/PPS
57	Bitter Salt	MgSO ₄	sat.	1.28			○	○	○	○	○	○	○	○	○	○	○	○	○	-	○	-	-	-	○	○	○	○	○	-
58	Bleaching Solution	NaOCl	10				-	-	-	-	○	○	-	-	-	○	○	○	○	-	-	-	⑥	-	○	○	-	-	-	
59	Bleaching Solution	NaOCl	12.5				-	-	-	-	○	○	-	-	-	○	○	○	○	-	-	-	⑥	-	○	○	-	-	-	
60	Bleaching Solution	NaOCl	20				-	-	-	-	○	○	-	-	-	○	○	○	○	-	-	-	⑥	-	○	○	-	-	-	
61	Borax	Na ₂ B ₄ O ₇	10				○	○	○	○	○	○	-	-	○	○	○	○	○	-	○	-	○	○	○	○	-	○	-	
62	Borax	Na ₂ B ₄ O ₇	sat.	1.03			○	○	○	○	○	○	-	-	○	○	○	○	○	-	○	-	○	○	○	○	-	○	-	
63	Boric Acid	H ₃ BO ₃	10				○	○	○	○	○	○	-	-	○	○	○	○	○	-	○	-	○	○	○	○	-	○	-	
64	Boric Acid	H ₃ BO ₃	sat.	1.01			○	○	○	○	○	○	-	-	○	○	○	○	○	-	○	-	○	○	○	○	-	○	-	
65	Bromic Acid	HBrO ₃	10				-	-	⑥	⑥	-	⑥	-	-	-	-	-	-	-	-	-	-	-	-	-	○	○	-	-	
66	Bromine	Br ₂	pure	3.19			-	-	-	-	-	-	-	-	-	-	-	-	-	-	-	-	-	-	-	○	-	-	-	
67	Butane	C ₄ H ₁₀	50	0.58	T2	Ex	-	-	-	-	-	-	○	○	○	○	○	○	-	-	-	-	○	○	○	-	-	○	○	-
68	Butane Diol	HO(CH ₂) ₄ OH	pure	1.01	T2		-	-	-	-	○	○	○	○	○	○	○	○	○	-	○	○	○	○	○	-	○	○	○	○
69	Butanol	C ₄ H ₉ OH	100	0.81	T2	Ex	-	-	-	-	-	-	-	-	-	-	-	-	-	-	-	-	-	-	-	-	○	②	-	
70	Butyl Acetate	CH ₃ CO ₂ (CH ₂) ₃ CH ₃	100	0.88	T2	Ex	-	-	-	-	-	-	-	-	-	-	-	-	-	-	-	-	-	-	-	-	○	③	-	
71	Butyl Alcohol	C ₄ H ₉ OH	100	0.81	T2	Ex	-	-	-	-	-	-	-	-	-	-	-	-	-	-	-	-	-	-	-	-	○	②	-	
72	Butyl Chloride	CH ₃ (CH ₂) ₃ Cl	pure	0.89	T3	Ex	-	-	-	-	-	-	-	-	-	-	-	-	-	-	-	-	-	-	-	-	-	-	-	
73	Butyl Glycol	HO(CH ₂) ₄ OH		0.9	T3		-	-	-	-	-	-	○	○	○	○	○	○	○	-	○	○	○	○	○	-	-	○	○	-
74	Butyl Phenol	C ₁₀ H ₁₄ O	pure				-	-	○	○	-	○	-	-	⑥	○	○	○	-	-	-	-	○	○	○	③	③	-	③	-
75	Butyl Phthalate	C ₆ H ₄ (COOC ₄ H ₉) ₂	pure	1.05	T2		-	-	-	-	○	-	○	⑥	○	○	○	○	-	-	-	-	○	○	○	-	③	○	③	-
76	Butylene Glycol	C ₄ H ₁₀ O ₂	pure	1.01	T2		-	-	-	-	○	○	○	○	○	○	○	○	○	-	○	○	○	○	○	-	○	○	○	○
77	Butyric Acid	CH ₃ (CH ₂) ₂ CO ₂ H	20	0.88			○	○	○	○	○	○	-	-	○	○	○	○	○	-	○	-	○	○	○	○	-	○	-	
78	Butyric Acid	CH ₃ (CH ₂) ₂ CO ₂ H	pure	0.96	T2		○	○	○	○	○	○	-	-	○	○	○	○	○	-	○	-	○	○	○	○	-	○	-	
79	Calcium Chlorate	Ca(ClO ₃) ₂	10				○	○	○	○	○	○	-	-	○	○	○	○	○	-	○	-	○	○	○	○	-	○	-	
80	Calcium Chloride	CaCl ₂	10				○	○	○	○	○	○	-	-	○	○	○	○	○	-	○	-	○	○	○	○	-	○	-	
81	Calcium Chloride	CaCl ₂	sat.	1.4			○	○	○	○	○	○	-	-	○	○	○	○	○	-	○	-	○	○	○	○	-	○	-	
82	Calcium Di-Hy. Sulphite	Ca(HSO ₃) ₂	10				○	○	○	○	○	○	-	-	○	○	○	○	○	-	○	-	⑥	○	○	○	-	○	-	
83	Calcium Di-Hy. Sulphite	Ca(HSO ₃) ₂	sat.				○	○	○	○	○	○	-	-	○	○	○	○	○	-	○	-	⑥	○	○	○	-	○	-	
84	Calcium Hypochlorite	Ca(ClO) ₂	10				-	○	-	○	○	-	-	-	-	-	-	-	-	-	-	-	-	-	-	-	-	-	-	



Lutz-Chemical Resistance Table

- = Resistant
 - = Non-resistant
 ② = Special seal EPDM
 ③ = Special seal FPM-FEP
- ④ = Special bearing Rulon
 ⑤ = Measuring chamber for Nitric Acid
 ⑥ = On demand

No.	Medium	Formula	% Concentration	Spec. gravity	Temperature Class (EN)	Use only Lutz Silver Star ME I 6, MD1XL/MD2XL with stainless steel or Hastelloy C pump tubes.	Lutz Pump Tubes										Lutz Flow Meters						Nozzles				
							PP				PVDF	Alu		SS		HC	TR	ST	SL	LM	UN	VA					
							MMS-PP SS RE 88 PP, MP-PP	MMS-PP HC	MSL-PP 41 SS	B2 SL-PP MSL-PP 41 HC	MMS-PVDF, B200 MMS-PVDF	MSL-PVDF	MMS-Alu	MSL-Alu	MMS-SS B70V-SR-PTFE MS	B2-SL-SS (not Ex) MSL-SS	RE 88 SS MP-SS	SL-HC	TR3-PP	TR3-PVDF	PPO/SAN/BaFe	PPO/PPS	PPS/LCP/BaFe	PPS/LCP	SS/PPS	Nozzle PP/FPM	Nozzle PVDF/FPM
85	Calcium Nitrate	Ca(NO ₃) ₂	50	1.48			○	○	○	○	○	○	○	○	○	○	○	○	○	○	○	○	○	○	○		
86	Camphor	C ₁₀ H ₁₆ O					-	-	○	○	-	○	○	⑥	○	○	○	○	○	○	③	③	○	③	-		
87	Caprylic Acid	CH ₃ (CH ₂) ₆ COOH					-	-	-	-	○	○	-	○	○	○	○	○	○	-	○	-	○	-			
88	Carbolic Acid	C ₆ H ₅ OH	50		T1		-	-	-	-	-	○	○	○	○	○	○	○	○	-	-	○	○	-			
89	Carbolic Acid	C ₆ H ₅ OH	90	1.07	T1		-	-	-	-	-	○	○	○	○	○	○	○	○	-	-	○	○	-			
90	Carbon Tetrachloride	CCl ₄	pure	1.59			-	-	-	-	○	○	-	○	○	○	○	○	○	-	○	-	○	-			
91	Carbonic Acid	H ₂ CO ₃					○	○	○	○	○	-	-	○	○	○	○	○	○	○	○	○	-	○			
92	Castor Oil	Mixture		0.96			○	○	○	○	○	○	○	○	○	○	○	○	○	○	○	○	○	○			
93	Caustic Potash	KOH	20	1.19			②	②	○	○	②	○	-	-	②	○	○	○	-	-	③	-	○	②			
94	Caustic Potash	KOH	30	1.29			②	②	○	○	②	○	-	-	②	○	○	○	-	-	③	-	○	②			
95	Caustic Potash	KOH	60	1.63			②	②	○	○	②	○	-	-	②	○	○	○	-	-	③	-	○	②			
96	Chloric Acid	HClO ₃	10				-	○	-	○	○	-	-	-	-	-	○	-	○	-	○	○	-	-			
97	Chlorine Solution	NaOCl	10				-	-	-	-	○	○	-	-	-	-	○	-	○	-	○	○	-	-			
98	Chlorine Solution	NaOCl	12.5				-	-	-	-	○	○	-	-	-	-	○	-	○	-	○	○	-	-			
99	Chlorine Water	Cl ₂ /H ₂ O	sat.				-	-	-	-	○	○	-	-	-	-	○	-	○	-	○	○	-	-			
100	Chloroacetic Acid	ClCH ₂ COOH	85	1.36			-	②	-	○	②	○	-	-	-	-	○	-	○	-	③	-	○	②			
101	Chloroacetic Acid	ClCH ₂ COOH	98	1.36			-	②	-	○	②	○	-	-	-	-	○	-	○	-	③	-	○	②			
102	Chlorobenzene	C ₆ H ₅ Cl	pure	1.11	T1	Ex	-	-	-	-	-	-	-	○	○	○	○	-	-	-	-	○	○	-			
103	Chloroethane	CH ₃ CH ₂ Cl	pure	0.92	T1		-	-	-	-	○	○	-	-	○	○	○	○	-	○	-	○	○	-			
104	Chloroform	CHCl ₃	100	1.48			-	-	-	-	-	-	-	⑥	○	○	○	-	-	-	-	○	○	-			
105	Chlorosulphonic Acid	HSO ₃ Cl	pure	1.77			-	-	-	-	-	-	-	-	-	-	-	-	-	-	-	-	-	-			
106	Chloroethene	Cl ₂ CCH ₃	pure	1.34			-	-	-	-	○	○	-	-	○	○	○	-	-	-	-	○	○	-			
107	Chlorotoluene	C ₇ H ₇ Cl		1.11	T1		-	-	-	-	-	-	-	○	○	○	○	-	-	-	-	○	○	-			
108	Chromic Acid	H ₂ CrO ₄	30				-	-	-	-	○	○	-	-	-	-	○	-	○	-	⑥	-	⑥	-			
109	Chromic Acid	H ₂ CrO ₄	50				-	○	-	○	○	-	-	-	-	-	○	-	○	-	⑥	-	⑥	-			
110	Citric Acid	C ₆ H ₈ O ₇	50	1.22			○	○	○	○	○	○	-	-	○	○	○	○	-	○	○	○	○	-			
111	Clophene	Mixture	pure				-	-	-	-	-	○	○	○	○	○	○	-	-	-	-	○	○	-			
112	Clove Oil	Mixture					-	-	-	-	-	-	-	⑥	○	○	○	-	-	-	-	○	○	-			



Lutz-Chemical Resistance Table

- = Resistant
- = Non-resistant
- ② = Special seal EPDM
- ③ = Special seal FPM-FEP
- ④ = Special bearing Rulon
- ⑤ = Measuring chamber for Nitric Acid
- ⑥ = On demand

No.	Medium	Formula	% Concentration	Spec. gravity	Temperature Class (EN)	Use only Lutz Silver Star ME I 6, MD1xL/MD2xL with stainless steel or Hastelloy C pump tubes.	Lutz Pump Tubes										Lutz Flow Meters						Nozzles								
							PP				PVDF	Alu		SS		HC	TR	ST	SL	LM	UN	VA									
							MMS-PP SS	RE 88 PP, MP-PP	MMS-PP HC	MSL-PP 41 SS	B2 SL-PP	MSL-PP 41 HC	MMS-PVDF, B200 MMS-PVDF	MSL-PVDF	MMS-Alu	MSL-Alu	MMS-SS	B70V-SR-PTFE MS	B2-SL-SS (not Ex)	MSL-SS	RE 88 SS	MP-SS	SL-HC	TR3-PP	TR3-PVDF	PPO/SAN/BaFe	PPO/PPS	PPS/LCP/BaFe	PPS/LCP	SS/PPS	Nozzle PP/PPM
113	Copper Acetate	Cu(C ₂ H ₃ O ₂) ₂	10				-	-	-	-	-	-	-	-	-	-	-	-	-	-	○	-	○	-	○	○	-	-	-		
114	Copper Nitrate	Cu(NO ₃) ₂	25	1.25			○	○	○	○	○	○	○	○	○	○	○	○	○	○	-	○	-	○	○	○	○	○	○	-	
115	Copper Sulfate	CuSO ₄	18	1.21			○	○	○	○	○	○	○	○	○	○	○	○	○	○	-	○	-	○	○	○	○	○	○	-	
116	Copper Sulfate	CuSO ₄	sat.				○	○	○	○	○	○	○	○	○	○	○	○	○	○	-	○	-	○	○	○	○	○	○	-	
117	Copper(I)Chloride	CuCl	20	1.21			-	-	-	-	-	-	-	-	-	-	-	-	-	-	○	-	○	-	○	○	-	-	-		
118	Copper(II)Chloride	CuCl ₂	50				○	○	○	○	○	○	○	○	○	○	○	○	○	○	-	○	-	○	○	○	○	○	○	-	
119	Corn Oil	Mixture	pure				○	○	○	○	○	○	○	○	○	○	○	○	○	○	○	○	○	○	○	○	○	○	○	○	
120	Cresol	C ₇ H ₈ O		1.05	T1		-	-	-	-	○	○	○	○	○	○	○	○	○	-	○	-	-	○	○	○	-	-	○	○	-
121	Crotonaldehyde	C ₄ H ₆ O	pure	0.85	T3	Ex	-	-	-	-	-	-	○	○	○	○	○	○	-	-	-	-	○	○	○	-	-	○	○	-	
122	Cyano Hydrogen Acid	HCN	pure	0.69	T1	Ex	-	-	-	-	-	-	○	○	○	○	○	○	-	-	-	-	○	○	○	-	-	-	○	-	
123	Cyclohexane	C ₆ H ₁₂	pure	0.78	T3	Ex	-	-	-	-	-	-	○	○	○	○	○	○	-	-	-	-	○	○	○	-	-	○	○	-	
124	Cyclohexanol	C ₆ H ₁₁ OH	pure	0.94	T3		-	-	-	-	○	○	○	○	○	○	○	○	-	○	-	-	-	○	○	-	○	-	○	-	
125	Decalin	C ₁₀ H ₁₈	pure	0.88	T3		-	-	-	-	○	○	○	○	○	○	○	○	-	○	○	○	○	○	○	-	○	○	○	-	
126	Dextrin	(C ₆ H ₁₀ O ₅) _x H ₂ O	18				○	○	○	○	○	○	○	○	○	○	○	○	○	○	○	○	○	○	○	○	○	○	○	○	
127	Dibutyl Ether	C ₄ H ₉ OC ₄ H ₉	pure	1.05	T2		-	-	-	-	○	-	○	⑥	○	○	○	○	-	-	-	-	○	○	○	-	③	○	③	-	
128	Dibutyl Phthalate	C ₆ H ₄ (CO ₂ C ₄ H ₉) ₂	pure	1.26	T2	Ex	-	-	-	-	-	-	○	○	○	○	○	○	-	-	-	-	○	○	-	-	-	-	○	-	
129	Dichloro Acetic Acid	Cl ₂ CHCOOH	100	1.33	T1		-	-	-	-	-	-	⑥	○	○	○	○	○	-	-	-	-	○	○	-	-	-	-	③	-	
130	Dichloro Difluormethane	CF ₂ Cl ₂	pure	1.56			-	②	-	○	②	○	-	-	-	-	-	-	-	-	-	③	-	○	-	②	②	-	-	-	
131	Dichloro Ethane	ClCH ₂ CH ₂ Cl	pure	1.22	T1	Ex	-	-	-	-	-	-	○	○	○	○	○	○	-	-	-	-	○	○	-	-	-	-	○	-	
132	Dichloro Ethylene 1.1	Cl ₂ CCH ₂	pure	1.32			-	-	-	-	-	-	⑥	○	○	○	○	○	-	-	-	-	③	-	○	○	-	-	-	③	-
133	Dichloro Methane	CH ₂ Cl ₂	100				-	-	-	-	○	○	○	○	○	○	○	○	-	○	○	○	○	○	○	-	○	○	○	○	
134	Diesel Fuel	Mixture	30				○	○	○	○	○	○	○	○	○	○	○	○	○	○	-	○	-	⑥	-	⑥	○	○	○	-	-
135	Diethanolamine	HN(CH ₂ CH ₂ OH) ₂		1.1	T2		-	-	-	-	-	-	⑥	○	○	○	○	○	-	-	-	-	○	○	-	-	-	-	③	-	
136	Diethyl Ether	(CH ₃ CH ₂) ₂ O	pure	0.77	T4	Ex	-	-	-	-	-	-	⑥	○	○	○	○	○	-	-	-	-	○	○	○	-	-	○	③	-	
137	Diethylamine	(CH ₃ CH ₂) ₂ NH	100	0.71	T4	Ex	-	-	-	-	-	-	⑥	○	○	○	○	○	-	-	-	-	○	○	-	-	-	-	③	-	
138	Diglycolic Acid	C ₄ H ₆ O ₅	pure	0.73	T2		-	-	-	○	-	-	⑥	○	○	○	○	○	-	-	-	-	○	○	③	③	-	-	③	-	
139	Diglycolic Acid	C ₄ H ₆ O ₅	sat.				○	○	○	○	○	○	○	○	○	○	○	○	-	-	-	-	⑥	-	⑥	○	○	-	-	○	-
140	Dimethyl Benzene	C ₆ H ₄ (CH ₃) ₂	pure	0.95	T2		-	-	-	-	-	-	○	○	○	○	○	○	-	-	-	-	○	○	○	-	-	○	○	-	



Lutz-Chemical Resistance Table

- = Resistant
- = Non-resistant
- ② = Special seal EPDM
- ③ = Special seal FPM-FEP
- ④ = Special bearing Rulon
- ⑤ = Measuring chamber for Nitric Acid
- ⑥ = On demand

No.	Medium	Formula	% Concentration	Spec. gravity	Temperature Class (EN)	Use only Lutz Silver Star ME I 6, MD1xL/MD2xL with stainless steel or Hastelloy C pump tubes.	Lutz Pump Tubes										Lutz Flow Meters						Nozzles							
							PP				PVDF	Alu		SS		HC	TR	ST	SL	LM	UN	VA								
							MMS-PP SS	RE 88 PP, MP-PP	MMS-PP HC	MSL-PP 41 SS	B2 SL-PP	MSL-PP 41 HC	MMS-PVDF, B200 MMS-PVDF	MSL-PVDF	MMS-Alu	MSL-Alu	MMS-SS	B70V-SR-PTFE MS	B2-SL-SS (not Ex)	MSL-SS	RE 88 SS	MP-SS	SL-HC	TR3-PP	TR3-PVDF	PPO/SAN/BaFe	PPO/PPS	PPS/LCP/BaFe	PPS/LCP	SS/PPS
169	Formaldehyde	HCHO	40				○	○	○	○	○	○	○	○	○	○	○	○	○	○	○	○	○	○	○	○	○	○	○	○
170	Formamide	HCONH ₂	100				②	②	○	○	②	○	○	○	○	○	-	-	-	③	-	○	○	○	②	②	○	②	-	
171	Formic Acid	HCOOH	50				②	②	○	○	②	○	○	○	○	○	-	-	-	③	-	○	○	○	②	②	-	②	-	
172	Formic Acid	HCOOH	pure	1.22	T1	Ex	-	-	-	-	-	-	②	○	○	○	-	-	-	-	-	○	○	○	-	-	-	②	-	
173	Freon 12	Cl ₂ CF ₂	pure	1.32			-	-	-	-	-	-	⑥	○	○	○	-	-	-	③	-	○	○	○	-	-	-	③	-	
174	Fruit Juices	Mixture					○	○	○	-	○	-	○	○	○	○	○	○	○	○	○	○	○	○	○	○	-	○	-	
175	Fuel Oil	Mixture					-	-	-	-	○	○	○	○	○	○	○	-	○	○	○	○	○	○	○	-	○	○	○	
176	Furfural	C ₅ H ₄ O ₂		1.16			-	-	-	-	-	○	⑥	○	○	○	-	-	-	-	○	○	○	○	○	-	-	○	③	
177	Furfuryl Alcohol	C ₅ H ₆ O ₂	pure	1.13	T2		-	-	-	-	-	②	○	②	○	○	○	-	-	-	-	○	○	○	-	-	○	②	-	
178	Gallic Acid	C ₆ H ₂ (OH) ₃ COOH	50				○	○	○	○	○	○	○	○	○	○	○	○	○	-	○	-	○	○	○	○	○	○	○	
179	Glauber's Salt	Na ₂ SO ₄	50	1.46			○	○	○	○	○	○	○	○	○	○	○	○	○	-	○	-	○	○	○	○	○	○	○	
180	Gluconic Acid	C ₆ H ₁₂ O ₇					○	○	○	○	○	○	○	○	○	○	○	○	○	-	○	-	○	○	○	○	○	○	-	
181	Glucose	C ₆ H ₁₂ O ₆	pure	1.13			○	○	○	○	○	-	-	○	○	○	○	○	○	-	○	○	○	○	○	○	-	○	-	
182	Glycerine	C ₃ H ₈ O ₃	pure	1.26	T2		○	○	○	○	○	○	○	○	○	○	○	○	○	○	○	○	○	○	○	○	○	○	○	
183	Glycol	HOCH ₂ CH ₂ OH	pure	1.11	T2		○	○	○	○	○	○	○	○	○	○	○	○	○	○	○	○	○	○	○	○	○	○	○	
184	Glycolic Acid	HOCH ₂ COOH	37				○	○	○	○	○	-	-	○	○	○	○	○	○	○	○	⑥	⑥	-	○	○	○	○	-	
185	Glycolic Acid	HOCH ₂ COOH	70				-	○	-	○	○	○	-	-	-	○	○	○	○	○	⑥	⑥	-	○	-	○	○	-	-	
186	Heptane	C ₇ H ₁₆	pure	0.68	T3	Ex	-	-	-	-	-	-	-	○	○	○	○	○	-	-	-	-	○	○	○	-	-	○	○	
187	Hexamethylene Tetramine	(CH ₂) ₆ N ₄	10				-	-	-	-	-	-	○	⑥	○	○	○	○	-	-	-	-	⑥	⑥	○	-	-	○	③	
188	Hexane	C ₆ H ₁₄	pure	0.66	T3	Ex	-	-	-	-	-	-	-	○	○	○	○	○	-	-	-	-	○	○	○	-	-	○	○	
189	Hexanol	CH ₃ (CH ₂) ₄ CH ₂ OH		0.83	T3	Ex	-	-	-	-	-	-	-	○	○	○	○	○	-	-	-	-	○	○	○	-	-	○	○	
190	Hydrazine	H ₂ NNH ₂	pure				○	○	○	○	○	-	-	○	○	○	○	○	○	○	○	⑥	⑥	-	⑥	○	○	○	-	
191	Hydrobromic Acid	HBr	10	1.07			-	-	-	-	-	-	-	-	-	-	-	-	-	-	-	-	-	-	-	○	○	-	-	
192	Hydrobromic Acid	HBr	48	1.44			-	-	-	-	-	-	-	-	-	-	-	-	-	-	-	-	-	-	-	○	○	-	-	
193	Hydrochloric Acid	HCl	10				-	○	-	○	○	○	-	-	-	-	-	-	-	-	-	-	-	-	-	○	○	-	-	
194	Hydrochloric Acid	HCl	30				-	○	-	○	○	○	-	-	-	-	-	-	-	-	-	-	-	-	-	○	○	-	-	
195	Hydrochloric Acid	HCl	sat.	1.2			-	○	-	○	○	○	-	-	-	-	-	-	-	-	-	-	-	-	-	○	○	-	-	
196	Hydrocyanic Acid	HCN	pure	0.69	T1	Ex	-	-	-	-	-	-	-	○	○	○	○	○	-	-	-	-	-	-	-	-	-	○	-	



Lutz-Chemical Resistance Table

- = Resistant
 - = Non-resistant
 ② = Special seal EPDM
 ③ = Special seal FPM-FEP
 ④ = Special bearing Rulon
 ⑤ = Measuring chamber for Nitric Acid
 ⑥ = On demand

No.	Medium	Formula	% Concentration	Spec. gravity	Temperature Class (EN)	Use only Lutz Silver Star ME I 6, MD1XL/MD2XL with stainless steel or Hastelloy C pump tubes.	Lutz Pump Tubes										Lutz Flow Meters						Nozzles					
							PP			PVDF		Alu		SS			HC	TR	ST	SL	LM	UN	VA					
							MMS-PP SS RE 88 PP, MP-PP	MMS-PP HC	MSL-PP 41 SS	B2 SL-PP MSL-PP 41 HC	MMS-PVDF, B200 MMS-PVDF	MSL-PVDF	MMS-Alu	MSL-Alu	MMS-SS B70V-SR-PTEE MS	B2-SL-SS (not Ex)	MSL-SS	RE 88 SS MP-SS	SL-HC	TR3-PP	TR3-PVDF	PPO/SAN/BaFe	PPO/PPS	PPS/LCP/BaFe	PPS/LCP	SS/PPS	Nozzle PP/PPM	Nozzle PVDF/FPM
197	Hydrofluoric Acid	HF	40	1.06			-	⑥	-	⑥	⑥	-	-	-	-	-	⑥	⑥	-	-	-	-	○	○	-	-	-	
198	Hydrofluoric Acid	HF	60				-	-	-	⑥	-	⑥	-	-	-	-	-	-	-	-	-	-	○	○	-	-	-	
199	Hydrofluoric Acid	HF	70	1.23			-	-	-	⑥	-	⑥	-	-	-	-	-	-	-	-	-	-	○	○	-	-	-	
200	Hydrofluosilicic Acid	H ₂ SiF ₆	32				-	○	-	○	○	○	-	-	-	-	○	○	-	○	-	○	○	-	-	-		
201	Hydrogen Peroxide	H ₂ O ₂	3	1.01			○	○	○	○	○	○	○	○	○	○	○	○	○	-	-	○	○	○	○	○	-	
202	Hydrogen Peroxide	H ₂ O ₂	10	1.04			○	○	○	○	○	○	○	○	○	○	○	○	○	-	-	○	○	○	○	○	-	
203	Hydrogen Peroxide	H ₂ O ₂	20	1.07			○	○	○	○	○	○	○	○	○	○	○	○	○	-	-	○	○	○	○	○	-	
204	Hydrogen Peroxide	H ₂ O ₂	30	1.11			○	○	○	○	○	○	○	○	○	○	○	○	○	-	-	○	○	○	○	○	-	
205	Hydrogen Peroxide	H ₂ O ₂	90	1.42			-	-	-	-	○	○	○	○	○	○	-	○	⑥	⑥	-	-	○	-	○	○	○	
206	Hydroiodic Acid	HJ	pure				-	-	-	○	-	○	-	-	-	-	○	-	-	-	⑥	-	⑥	-	③	③	-	
207	Hydrosilicofluoric Acid	H ₂ SiF ₆	32	1.17			-	○	-	○	○	-	-	-	-	-	○	○	○	-	⑥	-	⑥	-	○	○	-	
208	Ink	Mixture		1			-	-	-	-	-	-	-	-	-	-	○	-	-	⑥	⑥	-	⑥	○	-	-	○	
209	Iodine Tincture	Mixture					-	○	-	○	○	○	○	○	○	○	○	○	-	-	-	○	○	○	○	○	-	
210	Iodoform	CHI ₃					○	○	○	○	○	○	○	○	○	○	○	○	-	-	-	○	○	○	○	○	-	
211	Isobutyl Alcohol	C ₄ H ₉ OH	100	0.81	T2	Ex	-	-	-	-	-	-	-	-	-	-	-	-	-	-	-	○	○	○	-	-	○	
212	Isooctane	C ₈ H ₁₈	pure	0.69	T2	Ex	-	-	-	-	-	-	-	-	-	-	-	-	-	-	-	○	○	○	-	-	○	
213	Isooctanol	C ₈ H ₁₇ OH	pure	0.83			-	-	-	-	-	-	-	-	-	-	-	-	-	-	-	○	○	○	-	-	○	
214	Isopropanol	(CH ₃) ₂ CHOH	pure	0.78	T2	Ex	-	-	-	-	-	-	-	-	-	-	-	-	-	-	-	○	○	○	-	-	○	
215	Isopropyl Acetate	CH ₃ COOCH(CH ₃) ₂		0.89	T2	Ex	-	-	-	-	-	-	-	-	-	-	-	-	-	-	-	○	○	○	-	-	○	
216	Isopropyl Ether	(CH ₃) ₂ CHOCH(CH ₃) ₂	pure	0.73	T2	Ex	-	-	-	-	-	-	-	-	-	-	-	-	-	-	-	○	○	○	-	-	○	
217	Kerosene	Mixture	pure	0.83	T3	Ex	-	-	-	-	-	-	-	-	-	-	-	-	-	-	-	○	○	○	-	-	○	
218	Lactic Acid	CH ₃ CHOHCOOH	10				○	○	○	○	○	○	○	○	○	○	○	○	○	-	○	-	○	○	○	○	-	
219	Lactic Acid	CH ₃ CHOHCOOH	90				○	○	○	○	○	○	○	○	○	○	○	○	○	-	○	-	○	○	○	○	-	
220	Lanolin	Mixture	pure				○	○	○	○	○	○	○	○	○	○	○	○	○	-	○	○	○	○	○	○	-	
221	Lead Acetate	Pb(CH ₃ CO ₂) ₂	10				○	○	○	○	○	○	○	○	○	○	○	○	○	-	○	-	○	○	○	○	-	
222	Lead Acetate	Pb(CH ₃ CO ₂) ₂	sat.				○	○	○	○	○	○	○	○	○	○	○	○	○	-	○	-	○	○	○	○	-	
223	Lead Nitrate	Pb(NO ₃) ₂	20	1.33			○	○	○	○	○	○	○	○	○	○	○	○	○	-	○	-	○	○	○	○	-	
224	Lead Tetraethyl	(C ₂ H ₅) ₄ Pb	pure	1.66			○	○	○	○	○	○	○	○	○	○	○	○	○	-	○	-	○	○	○	○	-	



Lutz-Chemical Resistance Table

- = Resistant
- = Non-resistant
- ② = Special seal EPDM
- ③ = Special seal FPM-FEP
- ④ = Special bearing Rulon
- ⑤ = Measuring chamber for Nitric Acid
- ⑥ = On demand

No.	Medium	Formula	% Concentration	Spec. gravity	Temperature Class (EN)	Use only Lutz Silver Star ME I 6, MD1XL/MD2XL with stainless steel or Hastelloy C pump tubes.	Lutz Pump Tubes										Lutz Flow Meters						Nozzles								
							PP				PVDF	Alu		SS		HC	TR	ST	SL	LM	UN	VA									
							MMS-PP SS	RE 88 PP, MP-PP	MMS-PP HC	MSL-PP 41 SS	B2 SL-PP	MSL-PP 41 HC	MMS-PVDF, B200 MMS-PVDF	MSL-PVDF	MMS-Alu	MSL-Alu	MMS-SS	B70V-SR-PTEE MS	B2-SL-SS (not Ex)	MSL-SS	RE 88 SS	MP-SS	SL-HC	TR3-PP	TR3-PVDF	PPO/SAN/BaFe	PPO/PPS	PPS/LCP/BaFe	PPS/LCP	SS/PPS	Nozzle PP/FPM
225	Lime Milk	Ca(OH) ₂	15				○	○	-	-	○	-	-	○	-	○	○	○	○	-	○	-	-	○	○	○	-	○	-		
226	Linseed Oil	Mixture	pure				○	○	○	○	○	○	○	○	○	○	○	○	○	○	○	○	○	○	○	○	○	○	○		
227	Lithium Chloride	LiCl	45	1.3			-	○	-	○	○	○	-	-	○	-	-	○	○	-	○	-	○	-	○	○	-	-	-		
228	Lithium Sulfate	Li ₂ SO ₄	25	1.23			○	○	○	○	○	○	-	-	○	○	○	○	○	-	○	-	-	○	○	○	-	○	-		
229	Magnesium Carbonate	MgCO ₃					○	○	○	○	○	○	-	-	○	○	○	○	○	-	○	-	○	○	○	○	-	○	-		
230	Magnesium Chloride	MgCl ₂	10				-	○	-	○	○	○	-	-	-	-	-	○	○	-	○	-	○	-	○	○	-	-	-		
231	Magnesium Chloride	MgCl ₂	sat.				-	○	-	○	○	○	-	-	-	-	-	○	○	-	○	-	○	-	○	○	-	-	-		
232	Magnesium Nitrate	Mg(NO ₃) ₂	25	1.21			②	②	○	○	②	○	-	-	②	○	○	○	-	-	-	③	-	○	○	②	②	-	②	-	
233	Magnesium Sulfate	MgSO ₄	10				○	○	○	○	○	○	○	○	○	○	○	○	○	-	○	-	-	○	○	○	○	○	-		
234	Magnesium Sulfate	MgSO ₄	sat.	1.28			○	○	○	○	○	○	○	○	○	○	○	○	○	-	○	-	-	○	○	○	○	○	-		
235	Maleic Acid	(CHCOOH) ₂	35				○	○	○	○	○	○	○	○	○	○	○	○	○	-	○	-	○	○	○	○	○	○	-		
236	Maleic Acid	(CHCOOH) ₂	sat.				○	○	○	○	○	○	○	○	○	○	○	○	○	-	○	-	○	○	○	○	○	○	-		
237	Malic Acid	(HO ₂ C)CH ₂ CHOH	50				○	○	○	○	○	○	-	-	○	○	○	○	○	-	○	-	○	○	○	○	○	-	-		
238	Manganese(II)Chloride	MnCl ₂	20	1.19			-	○	-	○	○	○	-	-	-	-	-	○	○	-	○	-	○	-	○	○	-	-	-		
239	Mercuric(I) Nitrate	Hg ₂ (NO ₃) ₂	sat.				○	○	○	○	○	○	-	-	○	○	○	○	○	-	○	⑥	-	○	○	○	○	-	○	-	
240	Mercuric(II) Cyanide	Hg(CN) ₂	pure				○	○	○	○	○	○	-	-	○	○	○	○	○	-	○	-	○	○	○	○	○	-	○	-	
241	Methanol	CH ₃ OH	pure	0.79	T1	Ex	-	-	-	-	-	-	-	-	②	○	○	○	-	-	-	-	○	○	○	-	-	○	②	-	
242	Methyl Acetate	CH ₃ CO ₂ CH ₃	100	0.93	T1	Ex	-	-	-	-	-	-	-	-	⑥	○	○	○	-	-	-	-	-	○	○	-	-	-	③	-	
243	Methyl Benzene	C ₆ H ₅ CH ₃	100	0.87	T1	Ex	-	-	-	-	-	-	-	-	○	○	○	○	-	-	-	-	○	○	○	-	-	○	○	-	
244	Methyl Cyanide	CH ₃ CN		0.78	T1	Ex	-	-	-	-	-	-	-	-	⑥	○	○	○	-	-	-	-	○	○	○	-	-	-	③	-	
245	Methyl Ethyl Ketone	CH ₃ CO ^o CH ₂ CH ₃	100	0.81	T1	Ex	-	-	-	-	-	-	-	-	②	○	○	○	-	-	-	-	○	○	○	-	-	○	②	-	
246	Methyl Glycol	CH ₃ OCH ₂ CH ₂ OH		0.98	T3	Ex	-	-	-	-	-	-	-	-	○	○	○	○	-	-	-	-	○	○	○	-	-	○	○	-	
247	Methyl Isobutyl Ketone	CH ₃ CH(CH ₃)CH ₂ COCH ₃		0.8	T1	Ex	-	-	-	-	-	-	-	-	②	○	○	○	-	-	-	-	-	○	○	-	-	-	②	-	
248	Methyl Pentanone	CH ₃ CH(CH ₃)CH ₂ COCH ₃		0.8	T1	Ex	-	-	-	-	-	-	-	-	②	○	○	○	-	-	-	-	-	○	○	-	-	-	②	-	
249	Methylene Chloride	CH ₂ Cl ₂	100	1.33	T1		-	-	-	-	-	-	-	-	⑥	○	○	○	-	-	-	-	-	○	○	-	-	-	③	-	
250	Milk	Mixture					○	○	-	-	○	-	-	-	○	○	○	○	-	-	-	-	○	○	○	○	-	○	-		
251	Mineral Oils	Mixture					-	-	-	-	○	○	○	○	○	○	○	○	-	-	○	○	○	○	○	○	-	-	○	○	○
252	Mineral Water	H ₂ O					○	○	○	○	○	○	○	○	○	○	○	○	○	-	-	-	-	○	○	○	○	○	○	○	○



Lutz-Chemical Resistance Table

- = Resistant
 - = Non-resistant
 ② = Special seal EPDM
 ③ = Special seal FPM-FEP
- ④ = Special bearing Rulon
 ⑤ = Measuring chamber for Nitric Acid
 ⑥ = On demand

No.	Medium	Formula	% Concentration	Spec. gravity	Temperature Class (EN)	Use only Lutz Silver Star ME I 6, MD1xL/MD2xL with stainless steel or Hastelloy C pump tubes.	Lutz Pump Tubes										Lutz Flow Meters						Nozzles								
							PP				PVDF	Alu		SS		HC	TR	ST	SL	LM	UN	VA									
							MMS-PP SS	RE 88 PP, MP-PP	MMS-PP HC	MSL-PP 41 SS	B2 SL-PP	MSL-PP 41 HC	MMS-PVDF, B200 MMS-PVDF	MSL-PVDF	MMS-Alu	MSL-Alu	MMS-SS	B70V-SR-PTFE MS	B2-SL-SS (not Ex)	MSL-SS	RE 88 SS	MP-SS	SL-HC	TR3-PP	TR3-PVDF	PPO/SAN/BaFe	PPO/PPS	PPS/LCP/BaFe	PPS/LCP	SS/PPS	Nozzle PP/PPM
253	Nail Polish Remover	CH ₃ COCH ₃	10		T1	Ex	-	-	-	-	-	-	-	-	-	-	-	-	-	-	-	○	○	○	-	-	-	○	②	-	
254	Nail Polish Remover	CH ₃ COCH ₃	pure	0.79	T1	Ex	-	-	-	-	-	-	-	-	-	-	-	-	-	-	-	○	○	○	-	-	-	○	②	-	
255	Naphtha	Mixture			T3	Ex	-	-	-	-	-	-	-	-	-	-	-	-	-	-	-	○	○	○	-	-	-	○	○	-	
256	Naphthalene	C ₁₀ H ₈		1.15	T1	Ex	-	-	-	-	-	-	-	-	-	-	-	-	-	-	-	○	○	○	-	-	-	○	○	-	
257	Naphthenic Acid	Mixture	100	0.9			○	○	○	○	○	○	-	-	-	-	-	-	-	-	-	○	○	○	○	○	-	○	○	-	
258	Nickel Chloride	NiCl ₂	20	1.22			-	○	-	○	○	○	-	-	-	-	-	-	-	-	-	○	○	-	○	-	○	○	-	-	
259	Nickel Nitrate	Ni(NO ₃) ₂ ·6H ₂ O	35	1.38			○	○	○	○	○	○	-	-	-	-	-	-	-	-	-	○	○	-	○	○	-	○	○	-	
260	Nickel Sulfate	NiSO ₄	10	1.21			○	○	○	○	○	○	-	-	-	-	-	-	-	-	-	○	○	-	○	○	-	○	○	-	
261	Nicotine	C ₁₀ H ₁₄ N ₂		1.01	T3	Ex	-	-	-	-	-	-	-	-	-	-	-	-	-	-	-	○	○	-	-	-	-	○	○	-	
262	Nitric Acid	HNO ₃	10	1.05			○	○	○	○	○	○	-	-	-	-	-	-	-	-	-	○	○	-	○	○	-	○	○	-	
263	Nitric Acid	HNO ₃	30	1.18			-	-	-	-	○	○	○	○	○	○	○	-	-	-	-	⑤	-	-	○	-	○	-	○	○	-
264	Nitric Acid	HNO ₃	50	1.31			-	-	-	-	-	-	-	-	-	-	-	-	-	-	-	⑤	-	-	○	-	○	-	○	○	-
265	Nitric Acid	HNO ₃	65	1.41			-	-	-	-	-	-	-	-	-	-	-	-	-	-	-	⑤	-	-	○	-	○	-	○	○	-
266	Nitric Acid	HNO ₃		1.5			-	-	-	-	-	-	-	-	-	-	-	-	-	-	-	-	-	-	-	-	○	-	-	-	
267	Nitrobenzene	C ₆ H ₅ NO ₂	pure	1.21	T1		-	-	-	-	-	○	○	○	○	○	○	-	-	-	-	-	○	○	○	-	-	○	○	-	
268	Nitrotoluene	C ₇ H ₇ NO ₂	pure				-	-	○	○	-	○	-	○	⑥	○	-	-	-	-	-	-	○	○	○	③	③	○	③	-	
269	Octane	C ₈ H ₁₈	pure	0.7	T3	Ex	-	-	-	-	-	-	-	-	-	-	-	-	-	-	-	-	○	○	-	-	-	○	○	-	
270	Oleic Acid	C ₁₈ H ₃₄ O ₂	pure	0.9	T2		-	-	-	-	○	○	○	○	○	○	○	-	-	-	-	-	○	○	-	-	○	○	○	-	
271	Oleum	H ₂ SO ₄ /SO ₃					-	-	-	-	○	○	○	○	○	○	○	-	-	-	-	-	-	○	-	○	-	○	○	-	
272	Oxalic Acid	(COOH) ₂	10				○	○	○	○	○	○	-	-	-	-	-	-	-	-	-	-	-	○	○	○	○	○	○	-	
273	Oxalic Acid	(COOH) ₂	sat.	1.65			-	○	-	○	○	○	-	-	-	-	-	-	-	-	-	-	-	○	-	○	-	○	○	-	
274	Paraffin Oil	Mixture	pure				○	○	○	○	○	○	○	○	○	○	○	○	○	○	○	○	○	○	○	○	○	○	○	○	-
275	Peanut Oil	Mixture					○	○	○	-	○	-	○	-	○	-	○	-	-	-	-	-	○	○	○	○	○	○	○	○	-
276	Pentanol-1	CH ₃ (CH ₂) ₃ CH ₂ OH	pure	0.82	T3	Ex	-	-	-	-	-	-	-	-	②	○	○	○	-	-	-	-	○	○	○	-	-	-	○	②	-
277	Pentyl Acetate	CH ₃ (CH ₂) ₃ CH ₂ COOCH ₃	pure	0.88	T2	Ex	-	-	-	-	-	-	-	-	⑥	○	○	○	-	-	-	-	-	○	○	-	-	-	-	③	-
278	Perchloric Acid	HClO ₄	20				-	○	-	○	○	-	-	-	-	-	-	-	-	-	-	-	⑥	-	⑥	-	○	○	-	-	-
279	Perchloric Acid	HClO ₄	50				-	-	-	-	○	○	-	-	-	-	-	-	-	-	-	-	⑥	-	⑥	-	-	○	-	-	-
280	Perchloric Acid	HClO ₄	70				-	-	-	-	○	○	-	-	-	-	-	-	-	-	-	-	⑥	-	⑥	-	-	○	-	-	-



Lutz-Chemical Resistance Table

- = Resistant
- = Non-resistant
- ② = Special seal EPDM
- ③ = Special seal FPM-FEP
- ④ = Special bearing Rulon
- ⑤ = Measuring chamber for Nitric Acid
- ⑥ = On demand

No.	Medium	Formula	% Concentration	Spec. gravity	Temperature Class (EN)	Use only Lutz Silver Star ME I 6, MD1XL/MD2XL with stainless steel or Hastelloy C pump tubes.	Lutz Pump Tubes										Lutz Flow Meters						Nozzles						
							PP				PVDF	Alu		SS		HC	TR	ST	SL	LM	UN	VA							
							MMS-PP SS	RE 88 PP, MP-PP	MMS-PP HC	MSL-PP 41 SS	B2 SL-PP	MSL-PP 41 HC	MMS-PVDF, B200 MMS-PVDF	MSL-PVDF	MMS-Alu	MSL-Alu	MMS-SS	B70V-SR-PTFE MS	B2-SL-SS (not Ex)	MSL-SS	RE 88 SS	MP-SS	SL-HC	TR3-PP	TR3-PVDF	PPO/SAN/BaFe	PPO/PPS	PPS/LCP/BaFe	PPS/LCP
281	Perchloric Acid	HClO ₄	sat.	1.55			-	-	-	-	-	-	-	-	-	-	-	-	-	-	⑥	-	⑥	-	-	-	-	-	-
282	Perchloroethylene	C ₂ Cl ₄	pure				-	-	-	-	○	○	○	○	○	○	○	-	○	-	-	-	○	○	-	○	○	○	-
283	Petrol	C ₅ H ₁₂ -C ₁₂ H ₂₆	pure	0.73	T3	Ex	-	-	-	-	-	-	-	-	-	-	-	-	-	-	-	○	○	○	-	-	○	○	○
284	Petroleum	Mixture	pure	0.83	T3	Ex	-	-	-	-	-	-	-	-	-	-	-	-	-	-	-	○	○	○	-	-	○	○	○
285	Petroleum Ether	Mixture	pure	0.69	T3	Ex	-	-	-	-	-	-	-	-	-	-	-	-	-	-	-	○	○	○	-	-	○	○	○
286	Phenol	C ₆ H ₅ OH	50		T1		-	-	-	-	-	○	○	○	○	○	○	-	-	-	-	○	○	○	-	-	○	○	-
287	Phenol	C ₆ H ₅ OH	90	1.07	T1		-	-	-	-	-	○	○	○	○	○	○	-	-	-	-	○	○	○	-	-	○	○	-
288	Phosphoric Acid	H ₃ PO ₄	30	1.18			○	○	○	○	○	○	○	○	○	○	○	-	-	-	-	○	-	○	○	○	○	-	○
289	Phosphoric Acid	H ₃ PO ₄	50				○	○	○	○	○	○	○	○	○	○	○	-	-	-	-	○	-	○	○	○	○	-	○
290	Phosphoric Acid	H ₃ PO ₄	85				○	○	○	○	○	○	○	○	○	○	○	-	-	-	-	○	-	○	○	○	○	-	○
291	Phosphoric Acid	H ₃ PO ₄	95	1.66			-	-	-	-	○	-	-	○	○	○	○	-	○	-	○	-	○	-	-	-	-	○	-
292	Phosphorous Oxichloride	POCl ₃	pure	1.57			○	○	○	○	○	○	○	○	○	○	○	-	-	-	-	⑥	-	⑥	○	○	○	-	○
293	Phosphorous Trichloride	PCl ₃	pure	1.57			○	○	○	○	○	○	○	○	○	○	○	-	-	-	-	⑥	-	⑥	○	○	○	-	○
294	Photographic Developer	Mixture					○	○	○	○	○	○	○	○	○	○	○	-	-	-	-	○	-	○	○	○	○	○	-
295	Phthalic Acid	C ₈ H ₆ O ₄	50				②	②	○	○	②	○	②	○	○	○	○	-	-	-	-	③	-	⑥	○	○	○	○	②
296	Phthalic Acid	C ₈ H ₆ O ₄	sat.	1.59			②	②	○	○	②	○	②	○	○	○	○	-	-	-	-	③	-	⑥	○	○	○	○	②
297	Picric Acid	(NO ₂) ₃ C ₆ H ₂ OH	50				-	-	-	-	○	○	-	-	○	○	○	-	○	-	-	⑥	-	⑥	○	-	○	-	○
298	Pine Oil	Mixture					-	-	-	-	-	-	-	-	-	-	-	-	-	-	-	-	○	○	○	-	-	○	③
299	Potassium Bromate	KBrO ₃	sat.				-	-	-	-	-	-	-	-	-	-	-	-	-	-	-	○	-	-	-	○	○	-	-
300	Potassium Bromide	KBr	10	1.37			○	○	○	○	○	○	○	○	○	○	○	-	-	-	-	○	-	-	○	○	○	-	○
301	Potassium Bromide	KBr	sat.				○	○	○	○	○	○	○	○	○	○	○	-	-	-	-	○	-	-	○	○	○	-	○
302	Potassium Carbonate	K ₂ CO ₃	sat.				-	○	-	○	○	○	○	○	○	○	○	-	-	-	-	○	-	-	-	○	○	-	-
303	Potassium Chlorate	K ₂ ClO ₃	50				○	○	○	○	○	○	○	○	○	○	○	-	-	-	-	○	-	-	○	○	○	○	-
304	Potassium Chloride	KCl	10				-	○	-	○	○	○	○	○	○	○	○	-	-	-	-	○	-	-	-	○	○	-	-
305	Potassium Chloride	KCl	sat.	1.17			-	○	-	○	○	○	○	○	○	○	○	-	-	-	-	○	-	-	-	○	○	-	-
306	Potassium Chromate	K ₂ CrO ₄	40				○	○	○	○	○	○	○	○	○	○	○	-	-	-	-	○	-	-	○	○	○	○	-
307	Potassium Cyanide	KCN	50				○	○	○	○	○	○	○	○	○	○	○	-	-	-	-	○	-	-	-	○	○	-	○
308	Potassium Cyanide	KCN	sat.	1.31			○	○	○	○	○	○	○	○	○	○	○	-	-	-	-	③	-	-	○	○	○	-	○



Lutz-Chemical Resistance Table

- = Resistant
- = Non-resistant
- ② = Special seal EPDM
- ③ = Special seal FPM-FEP
- ④ = Special bearing Rulon
- ⑤ = Measuring chamber for Nitric Acid
- ⑥ = On demand

No.	Medium	Formula	% Concentration	Spec. gravity	Temperature Class (EN)	Use only Lutz Silver Star ME I 6, MD1xL/MD2xL with stainless steel or Hastelloy C pump tubes.	Lutz Pump Tubes										Lutz Flow Meters						Nozzles							
							PP				PVDF	Alu		SS		HC	TR	ST	SL	LM	UN	VA								
							MMS-PP SS	RE 88 PP, MP-PP	MMS-PP HC	MSL-PP 41 SS	B2 SL-PP	MSL-PP 41 HC	MMS-PVDF, B200 MMS-PVDF	MSL-PVDF	MMS-Alu	MSL-Alu	MMS-SS	B70V-SR-PTFE MS	B2-SL-SS (not Ex)	MSL-SS	RE 88 SS	MP-SS	SL-HC	TR3-PP	TR3-PVDF	PPO/SAN/BaFe	PPO/PPS	PPS/LCP/BaFe	PPS/LCP	SS/PPS
337	Salycilic Acid	C ₆ H ₄ O ₂ COOH	50	1.48			○	○	○	○	○	○	○	○	○	○	○	○	○	-	⑥	-	⑥	○	○	○	○	○	○	
338	Sea Water	H ₂ O					-	○	-	○	-	-	-	-	-	○	○	○	-	○	-	○	-	○	○	○	-	-	-	
339	Silicic Acid	Si(OH) ₄	pure				○	○	○	○	○	○	○	○	○	○	○	○	○	-	⑥	-	⑥	○	○	○	-	○	-	
340	Silicone Oil	(R ₂ SiO) _x	pure				○	○	○	○	○	○	○	○	○	○	○	○	○	○	○	○	○	○	○	○	○	○	○	
341	Silver Nitrate	AgNO ₃	8	1.07			○	○	○	○	○	○	○	○	○	○	○	○	○	-	○	-	⑥	○	○	○	-	○	-	
342	Soap Solution	Mixture					○	○	○	○	○	○	○	○	○	○	○	○	○	○	○	○	-	○	○	○	-	○	-	
343	Sodium Acetate	CH ₃ COONa	10				○	○	○	○	○	○	○	○	○	○	○	○	○	-	○	-	-	○	○	○	-	○	-	
344	Sodium Aluminate	Na ₂ Al ₂ O ₄					○	○	○	○	○	○	○	○	○	○	○	○	○	-	⑥	-	⑥	○	○	○	-	○	-	
345	Sodium Benzoate	C ₆ H ₅ NaO ₂	36				○	○	○	○	○	○	○	○	○	○	○	○	○	-	⑥	⑥	⑥	○	○	○	○	○	○	
346	Sodium Benzoate	C ₆ H ₅ NaO ₂	sat.				○	○	○	○	○	○	○	○	○	○	○	○	○	-	⑥	-	⑥	○	○	○	○	○	○	
347	Sodium Bicarbonate	NaHCO ₃	10	1.07			○	○	○	○	○	○	○	○	○	○	○	○	○	○	○	○	○	○	○	○	○	○	○	
348	Sodium Carbonate	Na ₂ CO ₃	25	1.27			○	○	○	○	○	○	○	○	○	○	○	○	○	-	○	-	○	○	○	○	-	○	-	
349	Sodium Chlorate	NaClO ₃	25	1.23			○	○	○	○	○	○	○	○	○	○	○	○	○	-	⑥	-	○	○	○	○	○	-	○	-
350	Sodium Chloride	NaCl	20				-	○	-	○	-	-	-	-	-	○	○	○	-	○	-	○	-	○	○	○	-	○	-	
351	Sodium Dichromate	Na ₂ Cr ₂ O ₇	10				○	○	○	○	○	○	○	○	○	○	○	○	○	○	○	○	⑥	⑥	○	○	○	○	○	○
352	Sodium Fluoride	NaF	4	1.04			○	○	○	○	○	○	○	○	○	○	○	○	○	-	○	-	○	○	○	○	○	-	○	-
353	Sodium Hydrogen Sulphate	NaHSO ₄	50	1.16			○	○	○	○	○	○	○	○	○	○	○	○	○	-	○	-	○	○	○	○	○	-	○	-
354	Sodium Hydrogen Sulphite	NaHSO ₃					○	○	○	○	○	○	○	○	○	○	○	○	○	-	○	○	○	○	○	○	○	○	○	
355	Sodium Hydroxide	NaOH	10	1.16			②	②	○	○	②	○	-	-	②	○	○	○	-	-	-	③	-	-	○	②	②	-	②	-
356	Sodium Hydroxide	NaOH	30	1.33			②	②	○	○	②	○	-	-	②	○	○	○	-	-	-	③	-	-	○	②	②	-	②	-
357	Sodium Hydroxide	NaOH	50	1.53			②	②	○	○	②	○	-	-	②	○	○	○	-	-	-	③	-	-	○	②	②	-	②	-
358	Sodium Hypochlorite	NaClO	10				-	-	-	-	○	○	-	-	-	-	-	○	-	○	-	-	-	⑥	-	○	○	-	-	-
359	Sodium Hypochlorite	NaClO	12.5				-	-	-	-	○	○	-	-	-	-	-	○	-	○	-	-	-	⑥	-	○	○	-	-	-
360	Sodium Hypochlorite	NaClO	20				-	-	-	-	○	○	-	-	-	-	-	○	-	○	-	-	-	⑥	-	○	○	-	-	-
361	Sodium Nitrate	NaNO ₃	45	1.37			○	○	○	○	○	○	○	○	○	○	○	○	○	-	⑥	-	⑥	○	○	○	○	○	○	○
362	Sodium Nitrite	NaNO ₂	50				○	○	○	○	○	○	○	○	○	○	○	○	○	-	○	-	○	○	○	○	○	○	○	○
363	Sodium Perchlorate	NaClO ₄	25	1.18			-	-	○	○	-	-	⑥	○	-	-	-	○	-	-	-	③	-	○	○	③	③	-	③	-
364	Sodium Phosphate	Na ₃ PO ₄	10				○	○	○	○	○	○	○	○	○	○	○	○	○	○	○	○	⑥	⑥	○	○	○	○	○	○



Lutz-Chemical Resistance Table

- = Resistant
- = Non-resistant
- ② = Special seal EPDM
- ③ = Special seal FPM-FEP
- ④ = Special bearing Rulon
- ⑤ = Measuring chamber for Nitric Acid
- ⑥ = On demand

No.	Medium	Formula	% Concentration	Spec. gravity	Temperature Class (EN)	Use only Lutz Silver Star ME I 6, MD1xL/MD2xL with stainless steel or Hastelloy C pump tubes.	Lutz Pump Tubes										Lutz Flow Meters						Nozzles												
							PP				PVDF		Alu		SS		HC	TR	ST	SL	LM	UN	VA												
							RE 88 PP	MP-PP	MMS-PP HC	MSL-PP 41 SS	B2 SL-PP	MSL-PP 41 HC	MMS-PVDF, B200	MMS-PVDF	MMS-Alu	MSL-Alu	MMS-SS	B70V-SR-PTFE MS	B2-SL-SS (not Ex)	MSL-SS	RE 88 SS	MP-SS	SL-HC	TR3-PP	TR3-PVDF	PPO/SAN/BaFe	PPO/PPS	PPS/LCP/BaFe	PPS/LCP	SS/PPS	Nozzle PP/PPM	Nozzle PVDF/FPM	Nozzle Brass/PTFE	Nozzle SS/FPM	Nozzle Alu/NBR
393	Thiophene	C ₄ H ₄ S	pure	1.06	T2	Ex	-	-	-	-	-	-	-	-	-	-	-	-	-	-	-	-	-	-	-	-	-	-	-						
394	Tin(II)Chloride	SnCl ₂	20	1.17			-	○	-	○	○	-	-	-	-	-	-	○	○	-	○	-	○	-	○	○	-	-	-						
395	Toluene	C ₇ H ₈	100	0.87	T1	Ex	-	-	-	-	-	-	-	-	-	-	-	-	-	-	-	○	○	○	-	-	○	○	-						
396	Transformer Oil	Mixture	pure				-	-	-	-	-	○	○	○	○	○	○	-	-	○	○	○	○	○	-	-	○	○	-						
397	Tributyl Phosphate	(C ₄ H ₉) ₃ PO ₄	pure	0.98			②	②	○	○	②	○	○	○	○	○	○	-	-	-	-	○	○	○	②	②	○	②	-						
398	Trichloroacetic Acid	CCl ₃ COOH	50				-	-	-	○	-	○	-	-	-	-	-	-	-	-	③	-	○	-	③	③	-	-	-						
399	Trichloroacetic Acid	CCl ₃ COOH	pure	1.62			-	-	-	○	-	○	-	-	-	-	-	-	-	-	③	-	○	-	③	③	-	-	-						
400	Trichlorobenzene	C ₆ H ₃ Cl ₃		1.69	T2		-	-	-	-	-	-	○	○	○	○	○	-	-	-	-	○	○	○	-	-	-	○	-						
401	Trichloroethane	C ₂ H ₃ Cl ₃	pure	1.48			-	-	-	-	○	○	-	○	○	○	○	-	○	-	-	-	○	○	-	○	-	○	-						
402	Trichloroethylene	C ₂ HCl ₃	50		T2		-	-	-	-	○	○	-	○	○	○	○	-	○	-	-	-	○	○	-	○	-	○	-						
403	Trichloroethylene	C ₂ HCl ₃	pure	1.46	T2		-	-	-	-	○	○	-	○	○	○	○	-	○	-	-	○	○	○	-	○	-	○	-						
404	Trichlorofluoromethane	CFCl ₃	pure	1.32			-	-	-	-	-	-	⑥	○	○	○	○	-	-	-	③	-	○	○	-	-	-	③	-						
405	Trichloromethane	CHCl ₃	100	1.48			-	-	-	-	-	-	⑥	○	○	○	○	-	-	-	-	-	○	○	-	③	-	③	-						
406	Tricresyl Phosphate	(CH ₃ C ₆ H ₄ O) ₃ PO	pure	1.13			-	-	○	○	-	○	-	○	○	○	○	-	-	-	-	-	○	○	○	③	③	○	③	-					
407	Triethylamine	(CH ₃ CH ₂) ₃ N	pure	0.73		Ex	-	-	-	-	-	-	-	○	○	○	○	-	-	-	-	-	○	○	○	-	-	○	○	-					
408	Turpentine Oil	Mixture		0.86			-	-	-	-	-	○	○	○	○	○	○	-	-	-	-	-	○	○	○	-	-	○	○	○					
409	Urea	H ₂ NCONH ₂	10				○	○	○	○	○	○	-	-	○	○	○	○	○	○	○	-	○	○	○	○	○	-	○	-					
410	Urea	H ₂ NCONH ₂	33				○	○	○	○	○	○	-	-	○	○	○	○	○	○	○	-	○	○	○	○	○	-	○	-					
411	Urine	Mixture					○	○	○	○	○	○	-	-	○	○	○	○	○	○	○	-	○	○	○	○	○	-	○	-					
412	Vinegar	CH ₃ COOH					○	○	○	○	○	○	-	-	○	○	○	○	○	○	○	-	○	○	○	○	○	-	○	-					
413	Vinyl Acetate	CH ₂ = CHOOCCH ₃	pure	0.93	T2	Ex	-	-	-	-	-	-	-	⑥	○	○	○	-	-	-	-	-	○	○	-	-	-	③	-						
414	Vinylidene Chloride	CH ₂ = CCl ₂	pure	1.25	T1	Ex	-	-	-	-	-	-	-	○	○	○	○	-	-	-	-	-	○	○	-	-	-	○	-						
415	Water	H ₂ O		1			○	○	○	○	○	○	-	-	○	○	○	○	○	○	○	-	○	○	○	○	○	-	○	-					
416	Water Glass	Me ₂ O _n SiO ₂	20	1.24			○	○	○	○	○	○	-	-	○	○	○	○	○	○	○	-	⑥	○	○	○	-	○	-						
417	Xylene	C ₆ H ₄ (CH ₃) ₂	pure	0.86	T1	Ex	-	-	-	-	-	-	-	○	○	○	○	-	-	-	-	○	○	○	-	-	○	○	-						
418	Zinc Chloride	ZnCl ₂	20	1.19			○	○	○	○	○	○	-	-	○	○	○	○	○	○	-	○	○	○	○	○	-	○	-						
419	Zinc Chloride	ZnCl ₂	75	2.07			○	○	○	○	○	○	-	-	○	○	○	○	○	○	-	○	○	○	○	○	-	○	-						
420	Zinc Salts	Mixture					○	○	○	○	○	○	-	-	○	○	○	○	○	○	-	○	○	○	○	○	-	○	-						



Questionnaire for specific application information

Copy - fill in - fax back to (770) 923-0334

We would like to furnish you with information about the pump best suited for your application. This requires a knowledge of the system in which the pump is to operate. If you will answer the following questions, we will be able to give you a specific recommendation.

Company _____

Address _____

City _____ State _____ Zip _____

Phone Number _____ Fax Number _____

Contact Name _____

Pump planning made easy!

1. Fluid to be pumped: _____

2. Capacity required: _____ U.S.G.P.M. Total head _____ ft.

3. Pumped fluid temperature: _____ °F Specific gravity _____

4. Viscosity: _____ cps

5. Transferring from: _____ 55 Gallon drum _____ Carboy _____ Vat _____ Tote

Description: _____

6. Other pertinent data: _____

7. Preferred materials of construction:	Length of Pump Tube:
_____ Polypropylene	_____ 27 inches (carboys)
_____ 316 Stainless Steel	_____ 39 inches (55 gallon)
_____ Kynar	_____ 47 inches (vats/reactors))
_____ Hastelloy C	_____ 63 inches (PP only)
_____ Aluminum	_____ ___ inches Special Length

8. Motor characteristics required:
_____ volts _____ cycles _____ phase

9. Enclosure: _____ Open Drip Proof (Available with Speed Control)
_____ TEFC
_____ Explosion Proof-U.L. Listed, Class I
_____ Groups C & D. Class II, Group G Motor
_____ Air Operated Motor

10. Other characteristics: _____



Lutz offers the
 optimum
 solution for
 professional
 Fluid Management

Drum and Container Pumps · Flow Meters · Double Diaphragm Pumps

Lutz Pumps, Inc.

1160 Beaver Run Road
 Norcross, GA 30093-4898
 Phone: (770) 925-1222
 (800) 843-3901
 Fax: (770) 923-0334

www.lutzpumpsamerica.com
 e-mail: info@lutzpumpsamerica.com